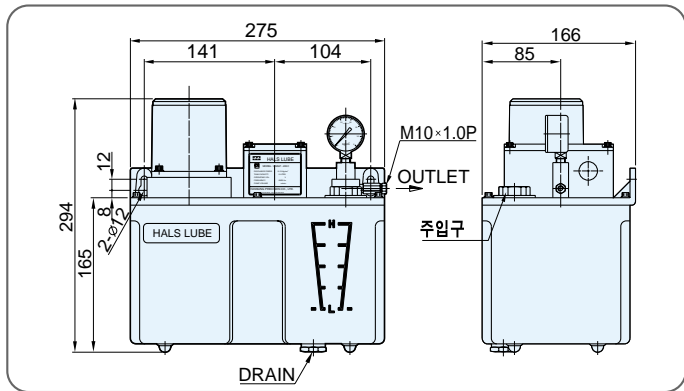


## ● 외형도(External Figure)



## ● Pump 사양(Specification)

PUMP TYPE	GEAR PUMP
DISCHARGE PRESSURE	5~10kg/cm <sup>2</sup>
INTERVAL TIME	CONSTANT
DISCHARGE AMOUNT	100cc/min
USING OIL	32~220(cSt)
FILTER	40 μ
TANK CAPACITY	5Liter
WEIGHT	5kg
OIL WARNING	점점출력

### MOTOR Specification

OUTPUT	25W	
PHASE	1 φ	
VOLTAGE	110V	200 / 220V
CURRENT	0.46A	0.21A
FREQUENCY	50/60Hz	