

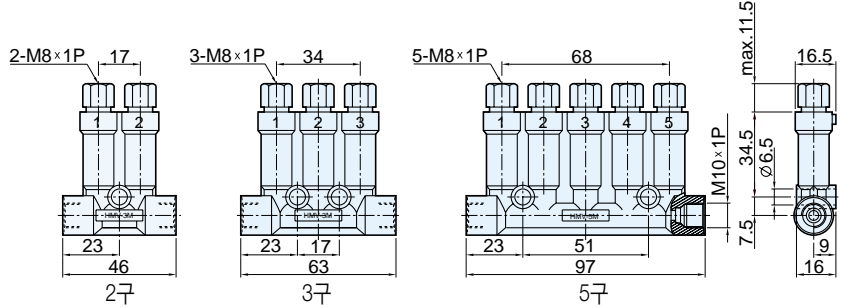
# M/E/T/E/R/I/N/G VALVE

## DISTRIBUTOR GROUP

HMV (0.03~0.4cc/stroke)

HMV - ( ) - ( )

Code NO.	Number of Lubrication Point	Metered Quantity in cc
HMV	2	03 : 0.03cc    05 : 0.05cc
	3	10 : 0.1cc    16 : 0.16cc
	5	20 : 0.2cc    30 : 0.3cc 40 : 0.4cc

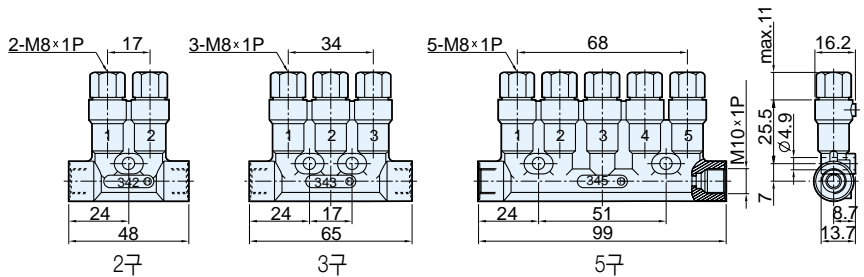


## DISTRIBUTOR GROUP

340 (0.03~0.16cc/stroke)

340 - ( ) - ( )

Code NO.	Number of Lubrication Point	Metered Quantity in cc
340	2	
	3	03 : 0.03cc    06 : 0.06cc
	5	10 : 0.1cc    16 : 0.16cc

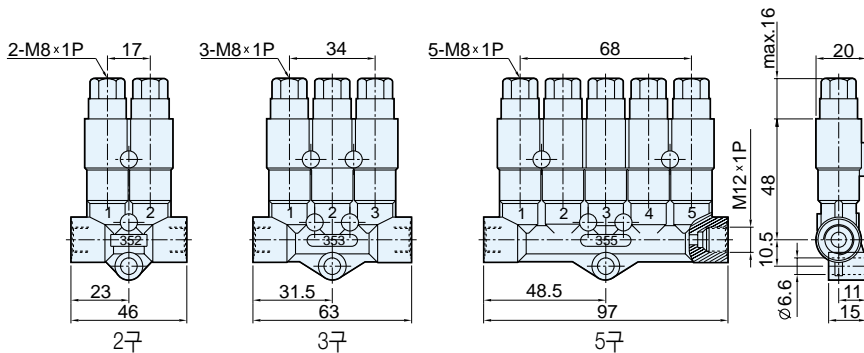


## DISTRIBUTOR GROUP

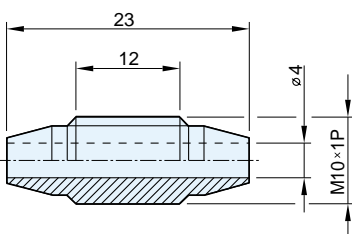
350 (0.1~0.6cc/stroke)

350 - ( ) - ( )

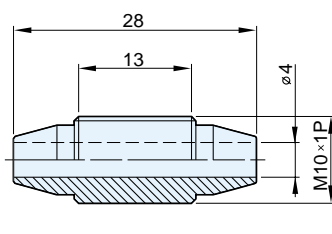
Code NO.	Number of Lubrication Point	Metered Quantity in cc
350	2	
	3	10 : 0.1cc    20 : 0.2cc
	5	40 : 0.4cc    60 : 0.6cc



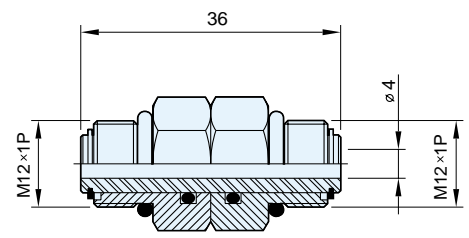
## CONNECTOR FOR METERING VALVE



HMV CONNECTOR



340 CONNECTOR



350 CONNECTOR