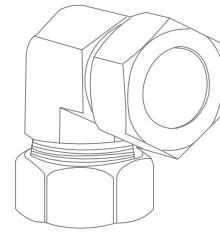


BITE TYPE FITTING

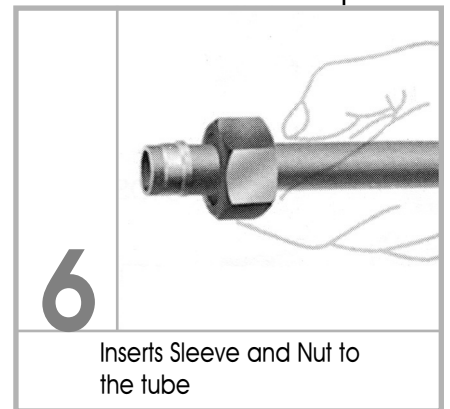
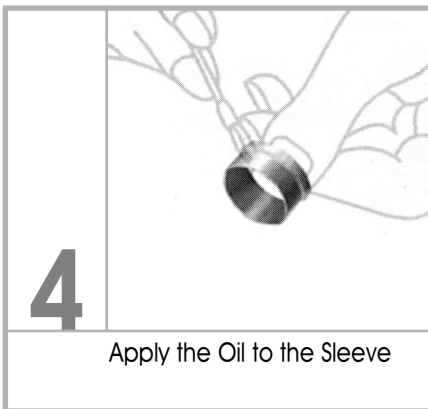
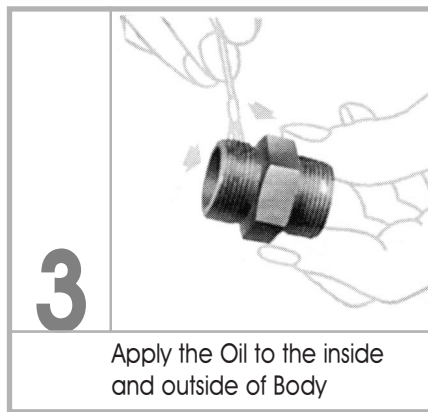
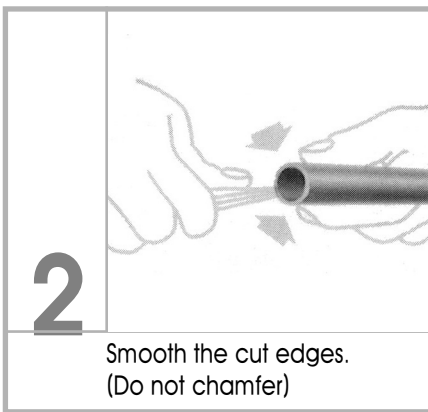
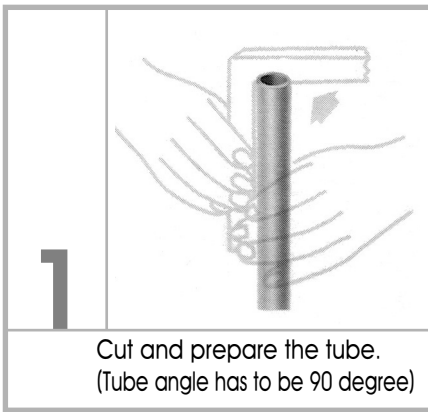
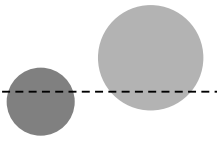


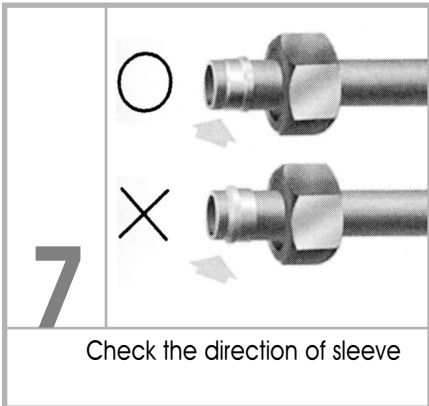
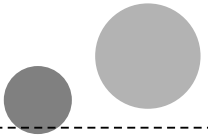
These excellent products are assembled with specially heat treated sleeves and bodies made from low carbon steel (S10C to S25C) to prevent leaks.

These fittings are available with a variety of end sizes.

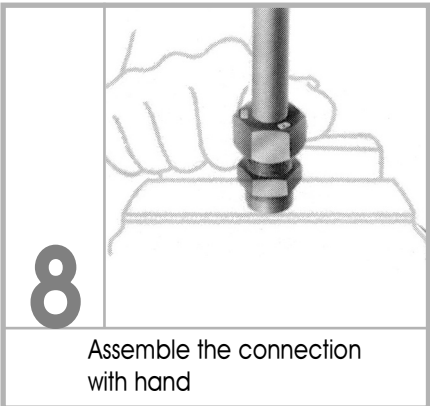
Sekwang Hi-Tech

ASSEMBLY

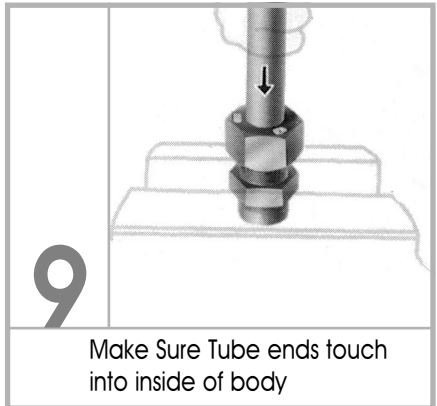




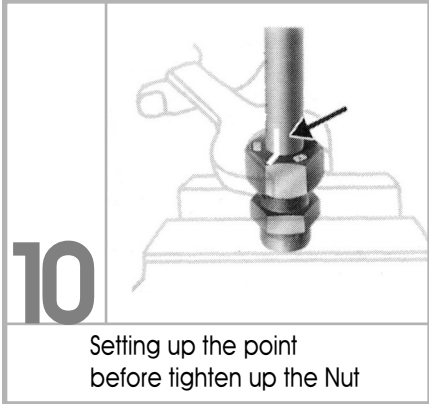
7 Check the direction of sleeve



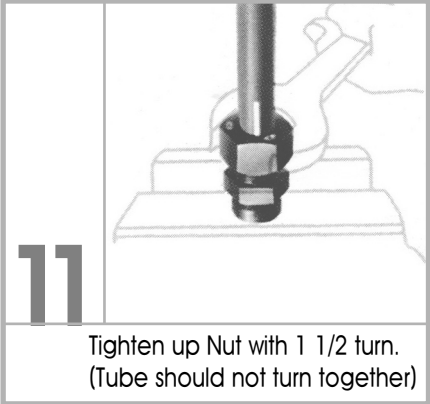
8 Assemble the connection with hand



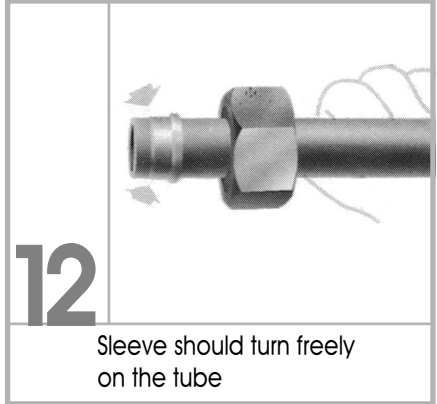
9 Make Sure Tube ends touch into inside of body



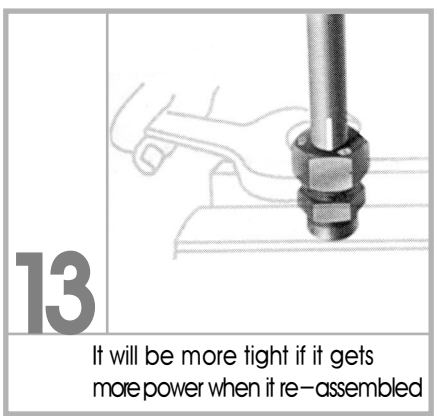
10 Setting up the point before tighten up the Nut



11 Tighten up Nut with 1 1/2 turn. (Tube should not turn together)



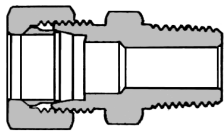
12 Sleeve should turn freely on the tube



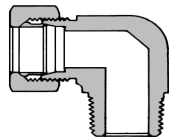
13 It will be more tight if it gets more power when it re-assembled

BITE SERIES

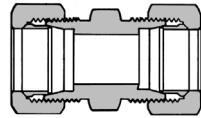
BITE SERIES



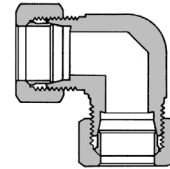
SMC/18



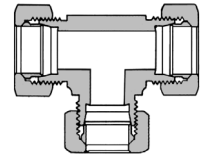
SLM/19



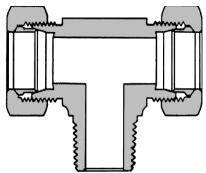
SU/20



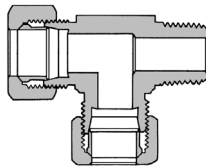
SL/21



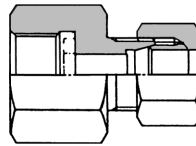
ST/22



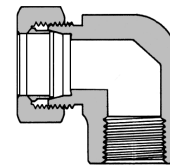
SBTM/23



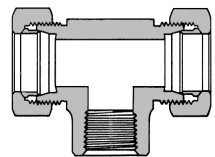
SRTM/24



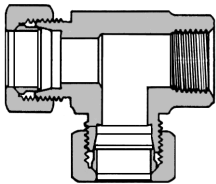
SGC/25



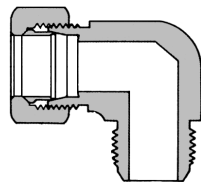
SLF/26



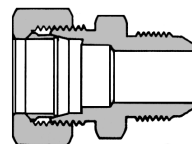
SBTF/27



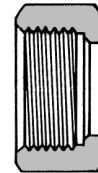
SRTF/28



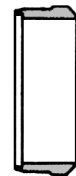
SHLM/29



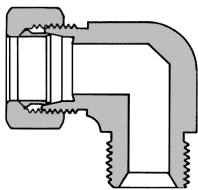
SHUM/30



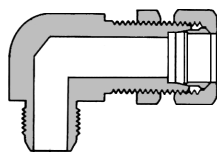
SN/31



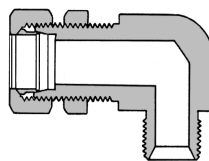
SS/32



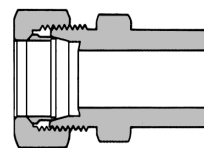
SHLF/33



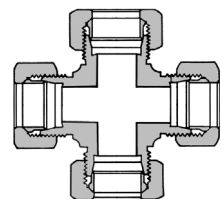
SHBLM/34



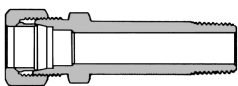
SHBLF/35



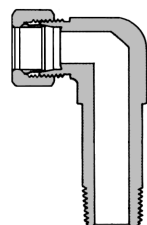
SC /36



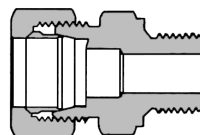
SC/37



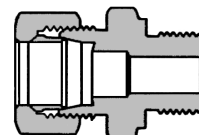
SLMC/38



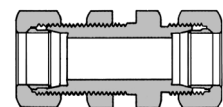
SLLM/39



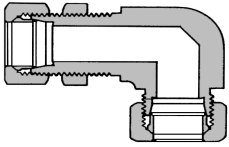
SMC - G/40



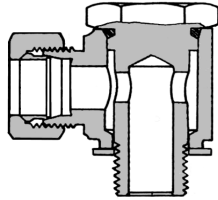
SOM/41



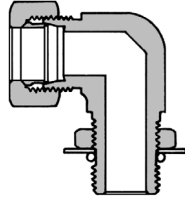
SBU/42



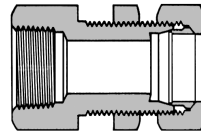
SBL/43



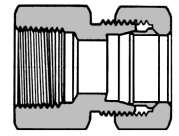
SSLM/44



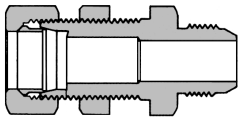
SOLM/45



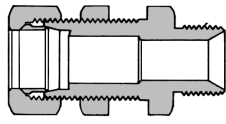
SBFC/46



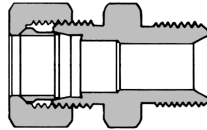
SFC/47



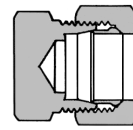
SHBUM/48



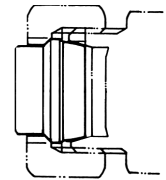
SHBUF/49



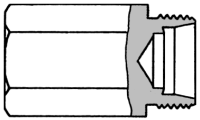
SHUF/50



SCA/51



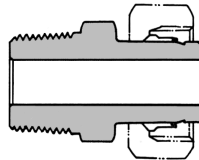
SP/51



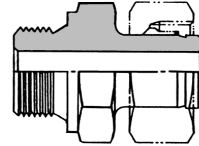
SJ/52



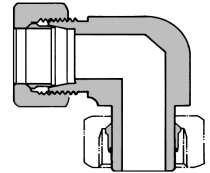
SBU /53



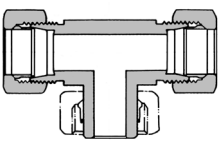
SAR/54



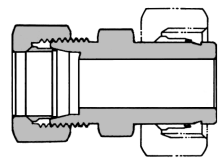
SAG/55



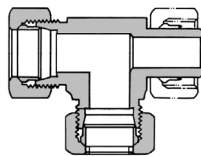
SLA/56



SBTA/56



SR/57



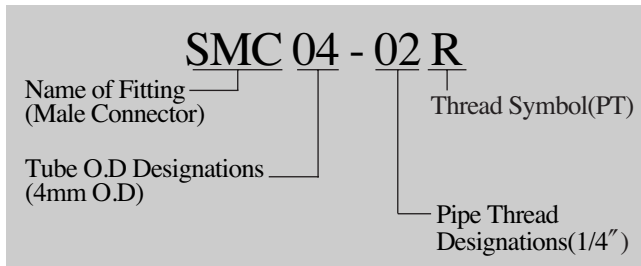
SRTA/58

DESIGNATION PART NUMBER SYSTEM

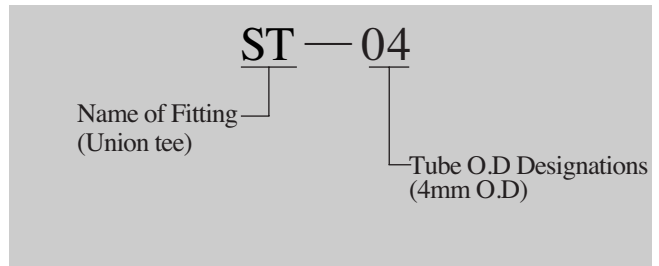
The symbols in the part number column on each page represent the shape and size of individual fittings.

Part Number Examples

Example : 1



Example : 2



Tube O.D Designations

Tube O.D	4	6	8	10	12	15	16	18	20	22	25	28	30
Designation	04	06	08	10	12	15	16	18	20	22	25	28	30

Pipe Thread Designations

Nom. Size	1/8	1/4	3/8	1/2	3/4	1	1 1/4	1 1/2	2
Designation	01	02	03	04	06	08	10	12	16

Thread Symbols

R : Taper Pipe Threads (PT : JIS B0203, ISO 7/1)

G : Taper Pipe Threads (PF : JIS B0202, ISO 228/1)

N : American National Standard Taper Pipe Threads (NPT : ANSI B2.1)

Material Indication System

Specify material by part number suffix letter :

empty = Steel,

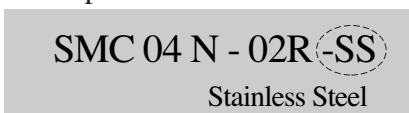
-SS = Stainless Steel,

-B = Brass

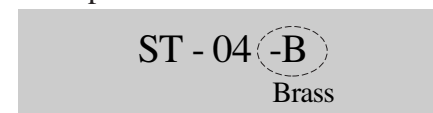
Example : 1



Example : 2



Example : 3



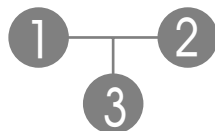
Part numbers listed are for complete fitting (body, nut and washer)

HOW TO ORDER

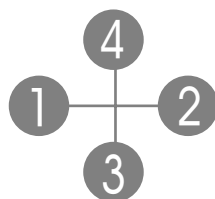
- 1) When placing an order with us, be sure to specify the fittings with their part numbers as listed in this catalogue.
- 2) For the fitting has two different size
 - a. If the fitting has two different size end, call out the largest end size first(1), followed by the smaller one (2) and indicate the order of (1) and (2) as shown this picture



- b. If the fitting has three different size ends, call out the largest end size first (1), followed by the smaller one (2) of the same direction and the third one (3), and indicate the order of (1), (2) and (3) as shown this picture



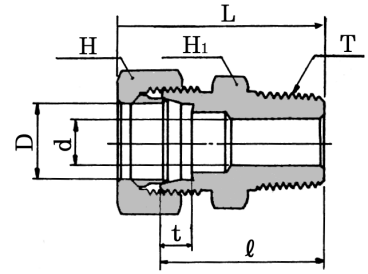
- c. If the fitting has four different size ends, call out the largest end size first (1), followed by the smaller one (2) of the same direction, and largest end size (3), followed by smaller one (4) of the rest, and indicate (1), (2), (3) and(4) as shown this picture



- 3) If there is any possibility of question as to the fitting desired, particularly for special fitting configurations, it is suggested that a sketch be submitted with the fitting order.
- 4) The fitting specifications are sometimes subject to change due to continuous improvements of quality and performance.

[MALE CONNECTOR]

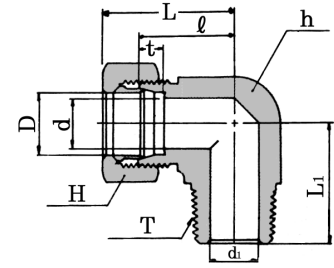
SMC



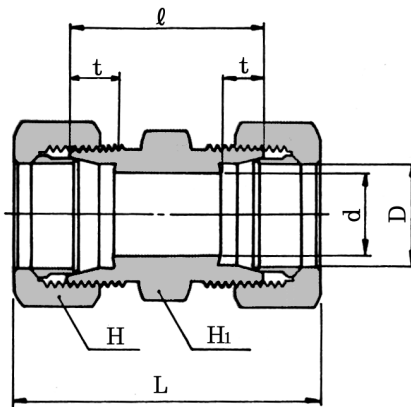
Designations	Tube O.D		(PT) T	d	Width across flat		t	l	Approx L
		D			H ₁	H			
SMC04-01R		4	1/8	2.5	12	12	6	22	29.5
SMC06-01R		6	1/8	4	14	14	7	28	38.5
SMC06-02R		6	1/4	4	14	14	7	33	43.5
SMC08-01R		8	1/8	4	17	17	7	29	39.5
SMC08-02R		8	1/4	6	17	17	7	33	43.5
SMC10-02R		10	1/4	7	17	19	7	33	44.5
SMC10-03R		10	3/8	8	19	19	7	34	45.5
SMC10-04R		10	1/2	8	22	19	7	39	51
SMC12-02R		12	1/4	7	19	22	7	33	44.5
SMC12-03R		12	3/8	9	19	22	7	34	45.5
SMC12-04R		12	1/2	10	22	22	7	39	51
SMC15-03R		15	3/8	9	24	27	7.5	37	49.5
SMC15-04R		15	1/2	12	24	27	7.5	41	54
SMC16-03R		16	3/8	9	27	30	7.5	37	49.5
SMC16-04R		16	1/2	12	27	30	7.5	41	54
SMC18-03R		18	3/8	9	27	32	8	37	49.5
SMC18-04R		18	1/2	12	27	32	8	41	54
SMC20-04R		20	1/2	12	30	36	8	43	56
SMC20-06R		20	3/4	16	30	36	8	45	57.5
SMC22-04R		22	1/2	12	32	36	9	43	56
SMC22-06R		22	3/4	16	32	36	9	45	53.5
SMC25-06R		25	3/4	16	36	41	10	46	59.5
SMC25-08R		25	1	20	36	41	10	49	62.5
SMC28-06R		28	3/4	16	41	46	10	48	63
SMC28-08R		28	1	22	41	46	10	51	65
SMC30-08R		30	1	22	41	46	10	51	65.5
SMC30-10R		30	1 1/4	25	46	46	10	55	70
SMC32-10R		32	1 1/4	26	46	50	11	55	70
SMC35-10R		35	1 1/4	28	46	55	11	55	73
SMC38-12R		38	1 1/2	32	50	60	12	57	77
SMC40-12R		40	1 1/2	32	55	60	12	62	82
SMC42-12R		42	1 1/2	34	55	60	12	62	82
SMC50-16R		50	2	40	65	75	12	71	92.5
SMC81-01R	1/8	10.5	1/8	4	17	19	7	29	40.5
SMC81-02R	1/8	10.5	1/4	7	17	19	7	33	44.5
SMC82-02R	1/4	13.8	1/4	7	22	24	7.5	36	48
SMC82-03R	1/4	13.8	3/8	9	22	24	7.5	37	49
SMC83-03R	3/8	17.3	3/8	9	27	32	8	37	49.5
SMC83-04R	3/8	17.3	1/2	12	27	32	8	41	54
SMC84-04R	1/2	21.7	1/2	12	32	36	9	43	56
SMC84-06R	1/2	21.7	3/4	16	32	36	9	45	57.5
SMC85-06R	3/4	27.2	3/4	16	41	46	10	48	63
SMC85-08R	3/4	27.2	1	22	41	46	10	51	65
SMC86-08R	1	34.0	1	22	46	55	11	52	69.5
SMC86-10R	1	34.0	1 1/4	28	46	55	11	55	73
SMC87-10R	1 1/4	42.7	1 1/4	31	60	65	12	64	85
SMC87-12R	1 1/4	42.7	1 1/2	34	60	65	12	64	85
SMC88-12R	1 1/2	48.6	1 1/2	36	65	75	12	67	89
SMC88-16R	1 1/2	48.6	2	40	65	75	12	71	92.5

[MALE ELBOW]

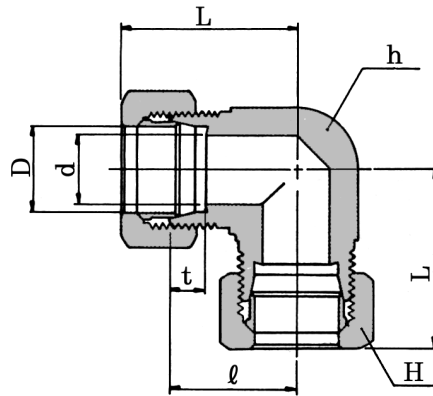
SLM



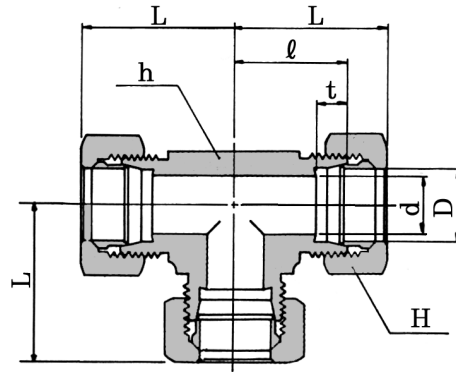
Designations	Tube O.D		(PT)	d	d ₁	Width across flat		t	l	Approx	
	D	T				h	H			L	L ₁
SLM04-01R	4		1/8	2.5	4	12	12	6	15	22.5	21
SLM06-01R	6		1/8	4	4	14	14	7	20	30.5	23
SLM06-02R	6		1/4	4	5.5	14	14	7	23	33.5	23.5
SLM08-01R	8		1/8	6	4	17	17	7	23	33.5	24
SLM08-02R	8		1/4	6	7	17	17	7	23	33.5	26
SLM10-02R	10		1/4	8	7	17	19	7	23	34.5	26
SLM10-03R	10		3/8	8	9	19	19	7	24	35.5	30
SLM10-04R	10		1/2	8	12	22	19	7	29	40.5	37
SLM12-02R	12		1/4	10	7	19	22	7	24	35.5	30
SLM12-03R	12		3/8	10	9	19	22	7	24	35.5	30
SLM12-04R	12		1/2	10	12	22	22	7	29	40.5	37
SLM15-03R	15		3/8	12	9	24	27	7.5	29	41.5	37
SLM15-04R	15		1/2	12	12	24	27	7.5	29	41.5	37
SLM16-03R	16		3/8	13	9	27	30	7.5	32	44.5	37
SLM16-04R	16		1/2	13	12	27	30	7.5	32	44.5	37
SLM18-03R	18		3/8	14	9	27	32	8	32	44.5	37
SLM18-04R	18		1/2	14	12	27	32	8	32	44.5	37
SLM20-04R	20		1/2	17	12	30	36	8	33	45.5	38
SLM20-06R	20		3/4	17	16	30	36	8	33	45.5	42
SLM22-04R	22		1/2	18	12	32	36	9	34	46.5	40
SLM22-06R	22		3/4	18	16	32	36	9	34	46.5	42
SLM25-06R	25		3/4	20	16	36	41	10	36	49.5	43
SLM25-08R	25		1	20	22	36	41	10	36	49.5	49
SLM28-06R	28		3/4	22	16	41	46	10	41	55	49
SLM28-08R	28		1	22	22	41	46	10	41	55	49
SLM30-08R	30		1	25	22	41	46	10	41	55.5	49
SLM30-10R	30		1 1/4	25	31	46	46	10	46	60.5	58
SLM32-10R	32		1 1/4	26	31	46	50	11	46	60.5	58
SLM35-10R	35		1 1/4	28	31	46	55	11	46	63.5	58
SLM38-12R	38		1 1/2	32	36	50	60	12	50	69.5	65
SLM40-12R	40		1 1/2	32	36	55	60	12	55	74.5	65
SLM42-12R	42		1 1/2	34	36	55	60	12	55	74.5	65
SLM50-16R	50		2	40	46	65	75	12	62	83.5	68
SLM81-01R	1/8	10.5	1/8	8	4	17	19	7	23	34.5	23
SLM81-02R	1/8	10.5	1/4	8	7	17	19	7	23	34.5	26
SLM82-02R	1/4	13.8	1/4	11	7	22	24	7.5	28	40	35
SLM82-03R	1/4	13.8	3/8	11	9	22	24	7.5	28	40	35.5
SLM83-03R	3/8	17.3	3/8	14	9	27	32	8	32	44.5	37
SLM83-04R	3/8	17.3	1/2	14	12	27	32	8	32	44.5	37
SLM84-04R	1/2	21.7	1/2	18	12	32	36	9	34	46.5	38
SLM84-06R	1/2	21.7	3/4	18	16	32	36	9	34	46.5	42
SLM85-06R	3/4	27.2	3/4	22	16	41	46	10	41	55	49
SLM85-08R	3/4	27.2	1	22	22	41	46	10	41	55	49
SLM86-08R	1	34.0	1	28	22	46	55	11	46	63.5	58
SLM86-10R	1	34.0	1 1/4	28	31	46	55	11	46	63.5	58
SLM87-10R	1 1/4	42.7	1 1/4	34	31	60	65	12	57	77.5	65
SLM87-12R	1 1/4	42.7	1 1/2	34	36	60	75	12	57	77.5	65
SLM88-12R	1 1/2	48.6	1 1/2	40	36	65	75	12	62	83.5	65
SLM88-16R	1 1/2	48.6	2	40	46	65	75	12	62	83.5	68



Designations	Tube O.D		d	Width across flat		t	ℓ	Approx
	D			H ₁	H			L
SU-04	4		2.5	12	12	6	20	35
SU-06	6		4	14	14	7	30	51
SU-08	8		6	17	17	7	31	52
SU-10	10		8	17	19	7	31	54
SU-12	12		10	19	22	7	31	54
SU-15	15		12	24	27	7.5	36	61
SU-16	16		13	27	30	7.5	36	61
SU-18	18		14	27	32	8	36	61
SU-20	20		17	30	36	8	38	63
SU-22	22		18	32	36	9	38	63
SU-25	25		20	36	41	10	39	66
SU-28	28		22	41	46	10	43	71
SU-30	30		25	41	46	10	43	72
SU-32	32		26	46	50	11	44	73
SU-35	35		28	46	55	11	44	79
SU-38	38		32	50	60	12	46	85
SU-40	40		32	55	60	12	55	94
SU-42	42		34	55	60	12	55	94
SU-50	50		40	65	75	12	60	103
SU-81	1/8	10.5	8	17	19	7	31	54
SU-82	1/4	13.8	11	22	24	7.5	36	60
SU-83	3/8	17.3	14	27	32	8	36	61
SU-84	1/2	21.7	18	32	36	9	38	63
SU-85	3/4	27.2	22	41	46	10	43	71
SU-86	1	34.0	28	46	55	11	44	79
SU-87	1 1/4	42.7	34	60	65	12	57	98
SU-88	1 1/2	48.6	40	65	75	12	60	103



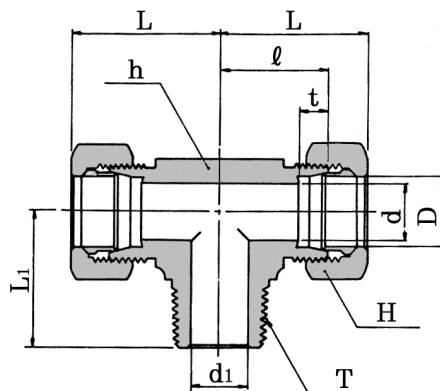
Designations	Tube O.D		d	Width across flat		t	ℓ	Approx L
	D			h	H			
SL-04	4		2.5	12	12	6	15	22.5
SL-06	6		4	14	14	7	20	30.5
SL-08	8		6	17	17	7	23	33.5
SL-10	10		8	17	19	7	23	34.5
SL-12	12		10	19	22	7	24	35.5
SL-15	15		12	24	27	7.5	29	41.5
SL-16	16		13	27	30	7.5	32	44.5
SL-18	18		14	27	32	8	32	44.5
SL-20	20		17	30	36	8	33	45.5
SL-22	22		18	32	36	9	34	46.5
SL-25	25		20	36	41	10	36	49.5
SL-28	28		22	41	46	10	41	55
SL-30	30		25	41	46	10	41	55.5
SL-32	32		26	46	50	11	45	59.5
SL-35	35		28	46	55	11	46	63.5
SL-38	38		32	50	60	12	50	69.5
SL-40	40		32	55	60	12	55	74.5
SL-42	42		34	55	60	12	55	74.5
SL-50	50		40	65	75	12	62	83.5
SL-81	1/8	10.5	8	17	19	7	23	34.5
SL-82	1/4	13.8	11	22	24	7.5	28	40
SL-83	3/8	17.3	14	27	32	8	32	44.5
SL-84	1/2	21.7	18	32	36	9	34	46.5
SL-85	3/4	27.2	22	41	46	10	41	55
SL-86	1	34.0	28	46	55	11	46	63.5
SL-87	1 1/4	42.7	34	60	65	12	57	77.5
SL-88	1 1/2	48.6	40	65	75	12	62	83.5



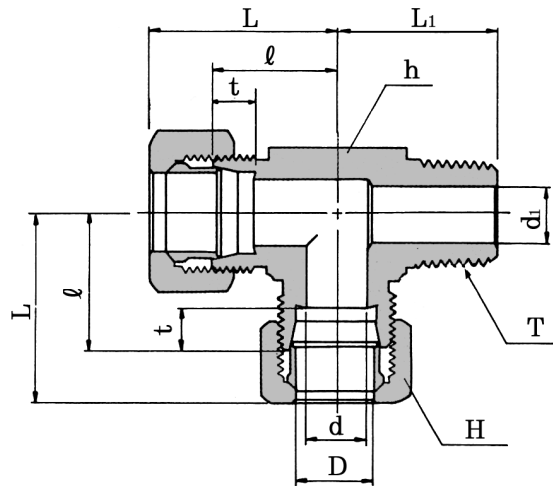
Designations	Tube O.D		d	Width across flat		t	ℓ	Approx L
		D		h	H			
ST-04		4	2.5	12	12	6	15	22.5
ST-06		6	4	14	14	7	20	30.5
ST-08		8	6	17	17	7	23	33.5
ST-10		10	8	17	19	7	23	34.5
ST-12		12	10	19	22	7	24	35.5
ST-15		15	12	24	27	7.5	29	41.5
ST-16		16	13	27	30	7.5	32	44.5
ST-18		18	14	27	32	8	32	44.5
ST-20		20	17	30	36	8	33	45.5
ST-22		22	18	32	36	9	34	46.5
ST-25		25	20	36	41	10	36	49.5
ST-28		28	22	41	46	10	41	55
ST-30		30	25	41	46	10	41	55.5
ST-32		32	26	46	50	11	45	59.5
ST-35		35	28	46	55	11	46	63.5
ST-38		38	32	50	60	12	50	69.5
ST-40		40	32	55	60	12	55	74.5
ST-42		42	34	55	60	12	55	74.5
ST-50		50	40	65	75	12	62	83.5
ST-81	1/8	10.5	8	17	19	7	23	34.5
ST-82	1/4	13.8	11	22	24	7.5	28	40
ST-83	3/8	17.3	14	27	32	8	32	44.5
ST-84	1/2	21.7	18	32	36	9	34	46.5
ST-85	3/4	27.2	22	41	46	10	41	55
ST-86	1	34.0	28	46	55	11	46	63.5
ST-87	1 1/4	42.7	34	60	65	12	57	77.5
ST-88	1 1/2	48.6	40	65	75	12	62	83.5

[MALE CONNECTOR]

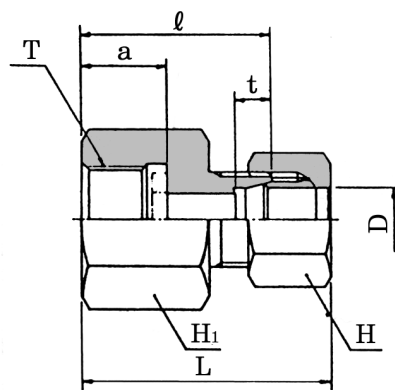
SBTM



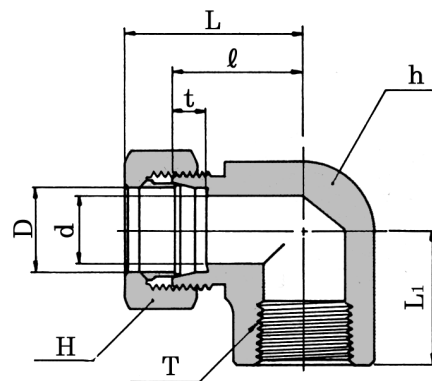
Designations	Tube O.D		(PT)	d	d ₁	Width across flat		t	ℓ	Approx	
	D	T				h	H			L	L ₁
SBTM04-01R	4	1/8		2.5	4	12	12	6	15	22.5	21
SBTM06-01R	6	1/8		4	4	14	14	7	20	30.5	21
SBTM06-02R	6	1/4		4	7	17	14	7	23	33.5	23.5
SBTM08-01R	8	1/8		6	4	17	17	7	23	33.5	24
SBTM08-02R	8	1/4		6	7	17	17	7	23	33.5	26
SBTM10-02R	10	1/4		8	7	17	19	7	23	34.5	26
SBTM10-03R	10	3/8		8	9	19	19	7	24	35.5	30
SBTM12-02R	12	1/4		10	7	19	22	7	24	35.5	30
SBTM12-03R	12	3/8		10	9	19	22	7	24	35.5	30
SBTM15-03R	15	3/8		12	9	24	27	7.5	29	41.5	34
SBTM15-04R	15	1/2		12	12	24	27	7.5	29	41.5	34
SBTM16-04R	16	1/2		13	12	27	30	7.5	32	44.5	37
SBTM18-04R	18	1/2		14	12	27	32	8	32	44.5	37
SBTM20-06R	20	3/4		17	16	30	36	8	33	45.5	42
SBTM22-06R	22	3/4		18	16	32	36	9	34	46.5	42
SBTM25-06R	25	3/4		20	16	36	41	10	36	49.5	46
SBTM25-08R	25	1		20	22	36	41	10	36	49.5	49
SBTM28-08R	28	1		22	22	41	46	10	41	55	49
SBTM30-08R	30	1		25	22	41	46	10	41	55.5	49
SBTM30-10R	30	1 1/4		25	31	46	46	10	46	60.5	52
SBTM32-10R	32	1 1/4		26	31	46	50	11	46	60.5	52
SBTM35-10R	35	1 1/4		28	31	46	55	11	46	63.5	58
SBTM38-12R	38	1 1/2		32	36	50	60	12	50	69.5	58
SBTM40-12R	40	1 1/2		32	36	55	60	12	55	74.5	58
SBTM50-16R	50	2		40	46	65	75	12	62	83.5	68
SBTM81-02R	1/8	10.5	1/4	8	7	17	19	7	23	34.5	26
SBTM82-03R	1/4	13.8	3/8	11	9	22	24	7.5	28	40	32
SBTM83-04R	3/8	17.3	1/2	14	12	27	32	8	32	44.5	37
SBTM84-06R	1/2	21.7	3/4	18	16	32	36	9	34	46.5	42
SBTM85-08R	3/4	27.2	1	22	22	41	46	10	41	55	49
SBTM86-10R	1	34.0	1 1/4	28	31	46	55	11	46	63.5	58
SBTM87-12R	1 1/4	42.7	1 1/2	34	36	60	65	12	57	77.5	58
SBTM88-16R	1 1/2	48.6	2	40	46	65	75	12	62	83.5	68



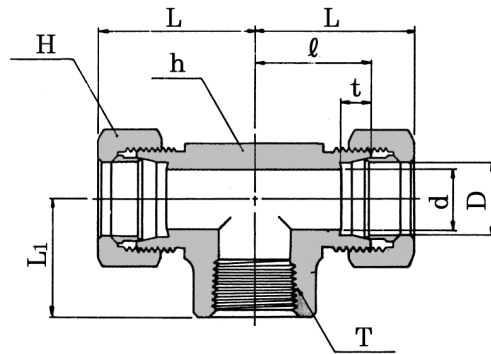
Designations	Tube O.D		d	d ₁	Width across flat		t	l	Approx		
	D	(PT) T			h	H			L	L ₁	
SRTM04-01R	4	1/8	2.5	4	12	12	6	15	22.5	21	
SRTM06-01R	6	1/8	4	4	14	14	7	20	30.5	21	
SRTM06-02R	6	1/4	4	7	17	14	7	23	33.5	23.5	
SRTM08-01R	8	1/8	6	4	17	17	7	23	33.5	24	
SRTM08-02R	8	1/4	6	7	17	17	7	23	33.5	26	
SRTM10-02R	10	1/4	8	7	17	19	7	23	34.5	26	
SRTM10-03R	10	3/8	8	9	19	19	7	24	35.5	30	
SRTM12-02R	12	1/4	10	7	19	22	7	24	35.5	30	
SRTM12-03R	12	3/8	10	9	19	22	7	24	35.5	30	
SRTM15-03R	15	3/8	12	9	24	27	7.5	29	41.5	34	
SRTM15-04R	15	1/2	12	12	24	27	7.5	29	41.5	34	
SRTM16-04R	16	1/2	13	12	27	30	7.5	32	44.5	37	
SRTM18-04R	18	1/2	14	12	27	32	8	32	44.5	37	
SRTM20-06R	20	3/4	17	16	30	36	8	33	45.5	42	
SRTM22-06R	22	3/4	18	16	32	36	9	34	46.5	42	
SRTM25-06R	25	3/4	20	16	36	41	10	36	49.5	46	
SRTM25-08R	25	1	20	22	36	41	10	36	49.5	49	
SRTM28-08R	28	1	22	22	41	46	10	41	55	49	
SRTM30-08R	30	1	25	22	41	46	10	41	55.5	49	
SRTM30-10R	30	1 1/4	25	31	46	46	10	46	60.5	52	
SRTM32-10R	32	1 1/4	26	31	46	50	11	46	60.5	52	
SRTM35-10R	35	1 1/4	28	31	46	55	11	46	63.5	58	
SRTM38-12R	38	1 1/2	32	36	50	60	12	50	69.5	58	
SRTM40-12R	40	1 1/2	32	36	55	60	12	55	74.5	58	
SRTM50-16R	50	2	40	46	65	75	12	62	83.5	68	
SRTM81-02R	1/8	10.5	1/4	8	7	17	19	7	23	34.5	26
SRTM82-03R	1/4	13.8	3/8	11	9	22	24	7.5	28	40	32
SRTM83-04R	3/8	17.3	1/2	14	12	27	32	8	32	44.5	27
SRTM84-06R	1/2	21.7	3/4	18	16	32	36	9	34	46.5	42
SRTM85-08R	3/4	27.2	1	22	22	41	46	10	41	55	49
SRTM86-10R	1	34.0	1 1/4	28	31	46	55	11	46	63.5	58
SRTM87-12R	1 1/4	42.7	1 1/2	34	36	60	65	12	57	77.5	58
SRTM88-16R	1 1/2	48.6	2	40	46	65	75	12	62	83.5	68



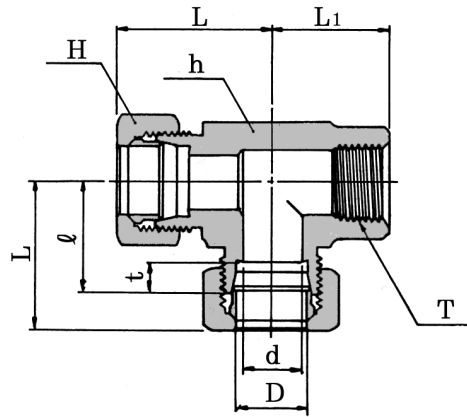
Designations	Tube O.D	(PF)	a	Width across flat		t	ℓ	Approx
	D	T		H ₁	H			L
SGC04-02G	4	1/4	14	19	12	6	29	36.5
SGC04-03G	4	3/8	15	24	12	6	30	37.5
SGC06-02G	6	1/4	14	19	14	7	32	42.5
SGC06-03G	6	3/8	15	24	14	7	34	44.5
SGC06-04G	6	1/2	16	30	14	7	36	46.5
SGC08-02G	8	1/4	14	19	17	7	32	42.5
SGC08-03G	8	3/8	15	24	17	7	34	44.5
SGC08-04G	8	1/2	16	30	17	7	36	46.5
SGC10-02G	10	1/4	14	19	19	7	32	43.5
SGC10-03G	10	3/8	15	24	19	7	34	45.5
SGC10-04G	10	1/2	16	30	19	7	36	47.5
SGC12-02G	12	1/4	14	19	22	7	32	43.5
SGC12-03G	12	3/8	15	24	22	7	34	45.5
SGC12-04G	12	1/2	16	30	22	7	36	47.5



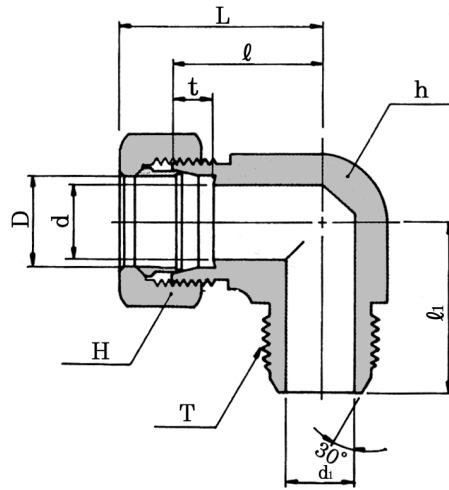
Designations	Tube O.D	(PT) T	d	Width across flat		t	l	Approx	
	D			h	H			L ₁	L
SLF08-02R	8	1/4	6	19	17	7	24	24	34.5
SLF10-02R	10	1/4	8	19	19	7	24	24	35.5
SLF12-02R	12	1/4	10	19	22	7	24	24	35.5
SLF12-03R	12	3/8	10	24	22	7	29	29	40.5
SLF15-03R	15	3/8	12	24	27	7.5	29	29	41.5
SLF15-04R	15	1/2	12	30	27	7.5	33	33	45.5
SLF16-04R	16	1/2	13	30	30	7.5	33	33	45.5
SLF18-04R	18	1/2	14	30	32	8	33	33	45.5
SLF20-06R	20	3/4	17	36	36	8	36	36	48.5
SLF22-06R	22	3/4	18	36	36	9	36	36	48.5
SLF25-06R	25	3/4	20	36	41	10	36	36	49.5
SLF25-08R	25	1	20	46	41	10	46	46	59.5
SLF28-08R	28	1	22	46	46	10	46	46	60
SLF30-10R	30	1 1/4	25	55	46	10	55	55	69.5
SLF32-10R	32	1 1/4	26	55	50	11	55	55	69.5
SLF35-10R	35	1 1/4	28	55	55	11	55	55	72.5



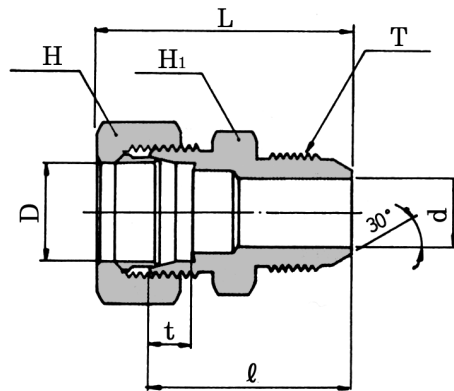
Designations	Tube O.D.		(PT) T	d	Width across flat		t	ℓ	Approx	
	D				h	H			L	L ₁
SBTF08-02R	8		1/4	6	19	17	7	24	34.5	24
SBTF10-02R	10		1/4	8	19	19	7	24	35.5	24
SBTF12-02R	12		1/4	10	19	22	7	24	35.5	24
SBTF12-03R	12		3/8	10	24	22	7	29	40.5	29
SBTF15-03R	15		3/8	12	24	27	7.5	29	41.5	29
SBTF15-04R	15		1/2	12	30	27	7.5	33	45.5	33
SBTF16-04R	16		1/2	13	30	30	7.5	33	45.5	33
SBTF18-04R	18		1/2	14	30	32	8	33	45.5	33
SBTF20-06R	20		3/4	17	36	36	8	36	48.5	36
SBTF22-06R	22		3/4	18	36	36	9	36	48.5	36
SBTF25-06R	25		3/4	20	36	41	10	36	49.5	36
SBTF25-08R	25		1	20	46	41	10	46	59.5	46
SBTF28-08R	28		1	22	46	46	10	46	60	46
SBTF30-08R	30		1	25	46	46	10	46	60.5	46
SBTF30-10R	30		1 1/4	25	55	46	10	55	69.5	55
SBTF32-10R	32		1 1/4	26	55	50	11	55	69.5	55
SBTF35-10R	35		1 1/4	28	55	55	11	55	72.5	55
SBTF81-02R	1/8	10.5	1/4	8	19	19	7	24	35.5	24
SBTF82-03R	1/4	13.8	3/8	11	24	24	7.5	29	41	29
SBTF83-04R	3/8	17.3	1/2	14	30	32	8	33	45.5	33
SBTF84-06R	1/2	21.7	3/4	18	36	36	9	36	48.5	36
SBTF85-08R	3/4	27.2	1	22	46	46	10	46	60	46
SBTF86-10R	1	34.0	1 1/4	28	55	55	11	55	72.5	55



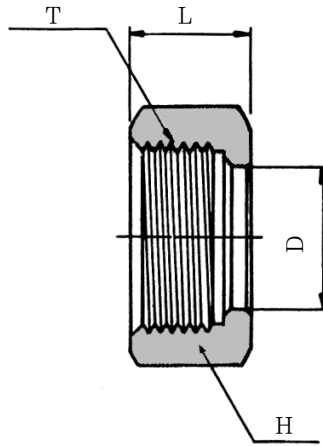
Designations	Tube O.D		(PT) T	d	Width across flat		t	ℓ	Approx	
		D			h	H			L	L ₁
SRTF08-02R		8	1/4	6	19	17	7	24	34.5	24
SRTF10-02R		10	1/4	8	19	19	7	24	35.5	24
SRTF12-02R		12	1/4	10	19	22	7	24	35.5	24
SRTF12-03R		12	3/8	10	24	22	7	29	40.5	29
SRTF15-03R		15	3/8	12	24	27	7.5	29	41.5	29
SRTF15-04R		15	1/2	12	30	27	7.5	33	45.5	33
SRTF16-04R		16	1/2	13	30	30	7.5	33	45.5	33
SRTF18-04R		18	1/2	14	30	32	8	33	45.5	33
SRTF20-06R		20	3/4	17	36	36	8	36	48.5	36
SRTF22-06R		22	3/4	18	36	36	9	36	48.5	36
SRTF25-06R		25	3/4	20	36	41	10	36	49.5	36
SRTF25-08R		25	1	20	46	41	10	46	59.5	46
SRTF28-08R		28	1	22	46	46	10	46	60	46
SRTF30-08R		30	1	25	46	46	10	46	60.5	46
SRTF30-10R		30	1 1/4	25	55	46	10	55	69.5	55
SRTF32-10R		32	1 1/4	26	55	50	11	55	69.5	55
SRTF35-10R		35	1 1/4	28	55	55	11	55	72.5	55
SRTF81-02R	1/8	10.5	1/4	8	19	19	7	24	35.5	24
SRTF82-03R	1/4	13.8	3/8	11	24	24	7.5	29	41	29
SRTF83-04R	3/8	17.3	1/2	14	30	32	8	33	45.5	33
SRTF84-06R	1/2	21.7	3/4	18	36	36	9	36	48.5	36
SRTF85-08R	3/4	27.2	1	22	46	46	10	46	60	46
SRTF86-10R	1	34.0	1 1/4	28	55	55	11	55	72.5	55



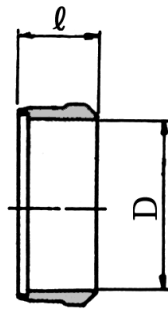
Designations	Tube O.D	(PF) T	d	d ₁	Width across flat		t	l ₁	l	Approx
	D				h	H				L
SHLM08-02G	8	1/4	6	6	17	17	7	25	23	33.5
SHLM08-03G	8	3/8	6	9	19	17	7	28	24	34.5
SHLM10-02G	10	1/4	8	6	17	19	7	28	24	35.5
SHLM10-03G	10	3/8	8	9	19	19	7	28	24	35.5
SHLM10-04G	10	1/2	8	12	24	19	7	34	29	40.5
SHLM12-02G	12	1/4	10	6	19	22	7	28	24	35.5
SHLM12-03G	12	3/8	10	9	19	22	7	28	24	35.5
SHLM12-04G	12	1/2	10	12	24	22	7	34	29	40.5
SHLM15-03G	15	3/8	12	9	24	27	7.5	33	29	41.5
SHLM15-04G	15	1/2	12	12	24	27	7.5	34	29	41.5
SHLM16-03G	16	3/8	13	9	27	30	7.5	36	32	44.5
SHLM16-04G	16	1/2	13	12	27	30	7.5	38	32	44.5
SHLM18-04G	18	1/2	14	12	27	32	8	38	32	44.5
SHLM20-06G	20	3/4	17	16	30	36	8	41	33	45.5
SHLM22-04G	22	1/2	18	12	32	36	9	40	34	46.5
SHLM22-06G	22	3/4	18	16	32	36	9	42	34	46.5
SHLM25-06G	25	3/4	20	16	36	41	10	44	36	49.5
SHLM25-08G	25	1	20	20	36	41	10	46	36	49.5
SHLM28-06G	28	3/4	22	16	41	46	10	47	41	55
SHLM28-08G	28	1	22	22	41	46	10	49	41	55
SHLM30-06G	30	3/4	25	16	41	46	10	47	41	55.5
SHLM30-08G	30	1	25	22	41	46	10	49	41	55.5
SHLM32-08G	32	1	26	22	46	50	11	54	46	60.5
SHLM32-10G	32	1 1/4	26	28	46	50	11	56	46	60.5



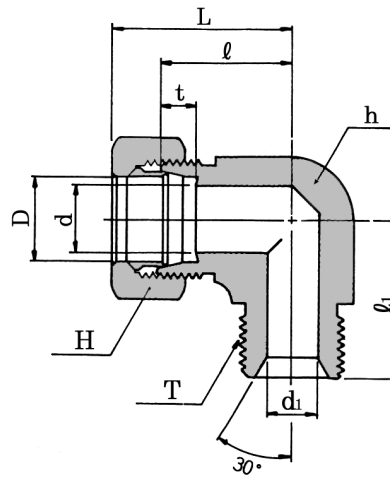
Designations	Tube O.D	(PF) T	d	Width across flat		t	ℓ	Approx
	D			H ₁	H			L
SHUM08-02G	8	1/4	6	17	17	7	35	45.5
SHUM08-03G	8	3/8	6	19	17	7	37	47.5
SHUM10-02G	10	1/4	6	17	19	7	35	46.5
SHUM10-03G	10	3/8	8	19	19	7	37	48.5
SHUM10-04G	10	1/2	8	22	19	7	40	51.5
SHUM12-02G	12	1/4	6	19	22	7	35	46.5
SHUM12-03G	12	3/8	9	19	22	7	37	48.5
SHUM12-04G	12	1/2	10	22	22	7	40	51.5
SHUM15-03G	15	3/8	9	24	27	7.5	40	52.5
SHUM15-04G	15	1/2	12	24	27	7.5	42	54.5
SHUM16-03G	16	3/8	9	27	30	7.5	40	52.5
SHUM16-04G	16	1/2	12	27	30	7.5	42	54.5
SHUM18-04G	18	1/2	12	27	32	8	42	54.5
SHUM20-06G	20	3/4	16	30	36	8	46	58.5
SHUM22-04G	22	1/2	12	32	36	9	44	56.5
SHUM22-06G	22	3/4	16	32	36	9	46	58.5
SHUM25-06G	25	3/4	16	36	41	10	47	60.5
SHUM25-08G	25	1	20	36	41	10	49	62.5
SHUM28-06G	28	3/4	16	41	46	10	49	63.0
SHUM28-08G	28	1	22	41	46	10	51	65.0
SHUM30-06G	30	3/4	16	41	46	10	49	63.5
SHUM30-08G	30	1	22	41	46	10	51	65.5
SHUM32-08G	32	1	22	46	50	11	52	66.5
SHUM32-10G	32	1 1/4	28	46	50	11	56	70.5



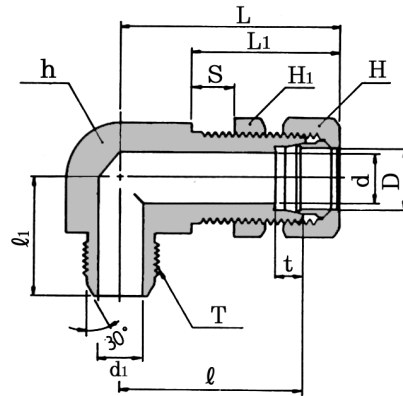
Designations	Tube O.D		T	Width across flat		L
		D			H	
SN-04		4	M10×1.25	12	10.5	
SN-06		6	M12×1.5	14	15	
SN-08		8	M14×1.5	17	15	
SN-10		10	M16×1.5	19	16	
SN-12		12	M18×1.5	22	16	
SN-15		15	M22×1.5	27	19	
SN-16		16	M24×1.5	30	19	
SN-18		18	M26×1.5	32	19	
SN-20		20	M28×1.5	36	19	
SN-22		22	M30×1.5	36	19	
SN-25		25	M35×1.5	41	20	
SN-28		28	M38×1.5	46	21	
SN-30		30	M40×1.5	46	22	
SN-32		32	M42×1.5	50	22	
SN-35		35	M45×1.5	55	25	
SN-38		38	M48×1.5	60	27	
SN-40		40	M52×2	60	29.5	
SN-42		42	M52×2	60	29.5	
SN-50		50	M64×2	75	31.5	
SN-81	1/8	10.5	M16×1.5	19	16	
SN-82	1/4	13.8	M20×1.5	24	18	
SN-83	3/8	17.3	M26×1.5	32	19	
SN-84	1/2	21.7	M30×1.5	36	19	
SN-85	3/4	27.2	M38×1.5	46	21	
SN-86	1	34.0	M45×1.5	55	25	
SN-87	1 1/4	42.7	M56×2	65	30.5	
SN-88	1 1/2	48.6	M64×2	75	31.5	



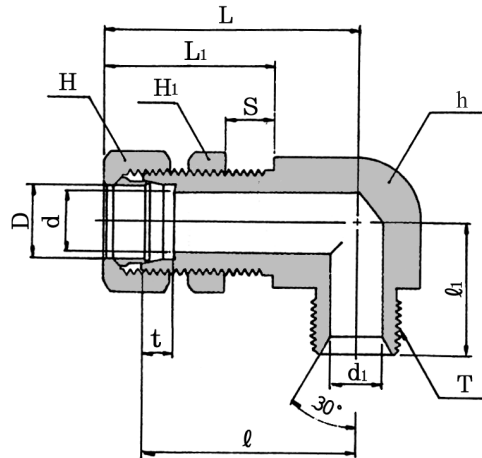
Designations	Tube O.D.		l
		D	
SS-04		4	7
SS-06		6	9
SS-08		8	9
SS-10		10	10
SS-12		12	10
SS-15		15	10
SS-16		16	10
SS-18		18	10
SS-20		20	10
SS-22		22	10
SS-25		25	11
SS-28		28	11
SS-30		30	11
SS-32		32	11
SS-35		35	14
SS-38		38	14
SS-40		40	14
SS-42		42	14
SS-50		50	14
SS-81	1/8	10.5	10
SS-82	1/4	13.8	10
SS-83	3/8	17.3	10
SS-84	1/2	21.7	10
SS-85	3/4	27.2	11
SS-86	1	34.0	14
SS-87	1 1/4	42.7	14
SS-88	1 1/2	48.6	14



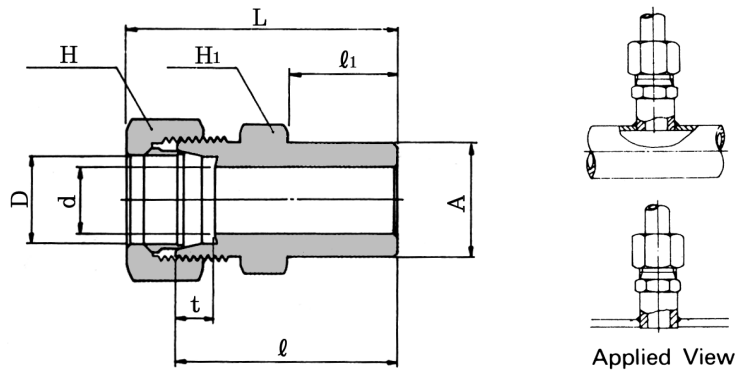
Designations	Tube O.D	(PF) T	d	d ₁	Width across flat		t	l ₁	l	Approx L
	D				h	H				
SHLF08-02G	8	1/4	6	6	17	17	7	25	23	33.5
SHLF08-03G	8	3/8	6	9	19	17	7	27	24	34.5
SHLF10-02G	10	1/4	8	6	17	19	7	26	24	35.5
SHLF10-03G	10	3/8	8	9	19	19	7	27	24	35.5
SHLF10-04G	10	1/2	8	12	24	19	7	33	29	40.5
SHLF12-02G	12	1/4	10	6	19	22	7	26	24	35.5
SHLF12-03G	12	3/8	10	9	19	22	7	27	24	35.5
SHLF12-04G	12	1/2	10	12	24	22	7	33	29	40.5
SHLF15-03G	15	3/8	12	9	24	27	7.5	30	29	41.5
SHLF15-04G	15	1/2	12	12	24	27	7.5	33	29	41.5
SHLF16-03G	16	3/8	13	9	27	30	7.5	33	32	44.5
SHLF16-04G	16	1/2	13	12	27	30	7.5	36	32	44.5
SHLF18-04G	18	1/2	14	12	27	32	8	36	32	44.5
SHLF20-06G	20	3/4	17	16	30	36	8	38	33	45.5
SHLF22-04G	22	1/2	18	12	32	36	9	38	34	46.5
SHLF22-06G	22	3/4	18	16	32	36	9	39	34	46.5
SHLF25-06G	25	3/4	20	16	36	41	10	41	36	49.5
SHLF25-08G	25	1	20	20	36	41	10	43	36	49.5
SHLF28-06G	28	3/4	22	16	41	46	10	44	41	55
SHLF28-08G	28	1	22	22	41	46	10	46	41	55
SHLF30-06G	30	3/4	25	16	41	46	10	44	41	55.5
SHLF30-08G	30	1	25	22	41	46	10	46	41	55.5
SHLF32-08G	32	1	26	22	46	50	11	51	46	60.5
SHLF32-10G	32	1 1/4	26	28	46	50	11	57	46	60.5
SHLF38-12G	38	1 1/2	32	34	50	50	12	61	50	69.5
SHLF40-12G	40	1 1/2	32	34	55	60	12	62	55	74.5
SHLF50-16G	50	2	40	46	65	75	12	72	62	83.5



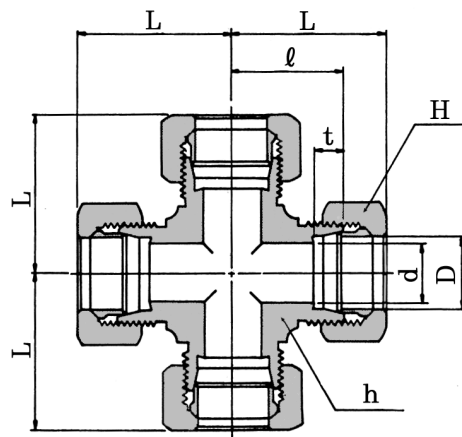
Designations	Tube O.D (PF)		d	d ₁	Width across flat			t	l ₁	l	Approx		Panel Hole Drill size N	MaxPanel thickness S
	D	T			h	H ₁	H				L ₁	L		
SHBLM08-02G	8	1/4	6	6	19	19	17	7	28	46	42.5	56.5	14.5	13
SHBLM08-03G	8	3/8	6	9	19	19	17	7	30	46	42.5	56.5	14.5	13
SHBLM10-02G	10	1/4	8	6	22	22	19	7	28	48	43.5	59.5	16.5	13
SHBLM10-03G	10	3/8	8	9	22	22	19	7	30	48	43.5	59.5	16.5	13
SHBLM10-04G	10	1/2	8	12	24	22	19	7	35	49	43.5	60.5	16.5	13
SHBLM12-02G	12	1/4	10	6	24	24	22	7	31	49	43.5	60.5	18.5	13
SHBLM12-03G	12	3/8	10	9	24	24	22	7	33	49	43.5	60.5	18.5	13
SHBLM12-04G	12	1/2	10	12	24	24	22	7	35	49	43.5	60.5	18.5	13
SHBLM15-03G	15	3/8	12	9	27	27	27	7.5	36	57	49.5	69.5	22.5	15
SHBLM15-04G	15	1/2	12	12	27	27	27	7.5	37	57	49.5	69.5	22.5	15
SHBLM16-03G	16	3/8	13	9	30	30	30	7.5	37	59	49.5	71.5	24.5	15
SHBLM16-04G	16	1/2	13	12	30	30	30	7.5	38	59	49.5	71.5	24.5	15
SHBLM18-04G	18	1/2	14	12	32	32	32	8	39	63	51.5	75.5	26.5	15
SHBLM20-06G	20	3/4	16	16	32	32	36	8	40	65	51.5	77.5	28.5	15
SHBLM22-04G	22	1/2	18	12	36	36	36	9	40	65	51.5	77.5	30.5	15
SHBLM22-06G	22	3/4	18	16	36	36	38	9	40	65	51.5	77.5	30.5	15
SHBLM25-06G	25	3/4	20	16	41	41	41	10	43	68	52.5	81.5	35.5	15
SHBLM25-08G	25	1	20	20	41	41	41	10	43	68	52.5	81.5	35.5	15
SHBLM28-06G	28	3/4	22	16	46	46	46	10	48	74	55.0	88.0	38.5	15
SHBLM28-08G	28	1	22	22	46	46	46	10	48	74	55.0	88.0	38.5	15
SHBLM30-06G	30	3/4	25	16	46	46	46	10	48	74	55.5	88.5	40.5	15
SHBLM30-08G	30	1	25	22	46	46	46	10	48	74	55.5	88.5	40.5	15



Designations	Tube O.D (PF)		d	d ₁	Width across flat			t	l ₁	l	Approx		Panel Hole Drill size N	Max Panel thickness S
	D	T			h	H ₁	H				L ₁	L		
SHBLF08-02G	8	1/4	6	6	19	19	17	7	28	46	42.5	56.5	14.5	13
SHBLF08-03G	8	3/8	6	9	19	19	17	7	30	46	42.5	56.5	14.5	13
SHBLF10-02G	10	1/4	8	6	22	22	19	7	28	48	43.5	59.5	16.5	13
SHBLF10-03G	10	3/8	8	9	22	22	19	7	30	48	43.5	59.5	16.5	13
SHBLF10-04G	10	1/2	8	12	24	22	19	7	35	49	43.5	60.5	16.5	13
SHBLF12-02G	12	1/4	10	6	24	24	22	7	31	49	43.5	60.5	18.5	13
SHBLF12-03G	12	3/8	10	9	24	24	22	7	33	49	43.5	60.5	18.5	13
SHBLF12-04G	12	1/2	10	12	24	24	22	7	35	49	43.5	60.5	18.5	13
SHBLF15-03G	15	3/8	12	9	27	27	27	7.5	36	57	49.5	69.5	22.5	15
SHBLF15-04G	15	1/2	12	12	27	27	27	7.5	37	57	49.5	69.5	22.5	15
SHBLF16-03G	16	3/8	13	9	30	30	30	7.5	37	59	49.5	71.5	24.5	15
SHBLF16-04G	16	1/2	13	12	30	30	30	7.5	38	59	49.5	71.5	24.5	15
SHBLF18-04G	18	1/2	14	12	32	32	32	8	39	63	51.5	75.5	26.5	15
SHBLF20-06G	20	3/4	16	16	32	32	36	8	40	65	51.5	77.5	28.5	15
SHBLF22-04G	22	1/2	18	12	36	36	36	9	40	65	51.5	77.5	30.5	15
SHBLF22-06G	22	3/4	18	16	36	36	38	9	40	65	51.5	77.5	30.5	15
SHBLF25-06G	25	3/4	20	16	41	41	41	10	43	68	52.5	81.5	35.5	15
SHBLF25-08G	25	1	20	20	41	41	41	10	43	68	52.5	81.5	35.5	15
SHBLF28-06G	28	3/4	22	16	46	46	46	10	48	74	55.0	88.0	38.5	15
SHBLF28-08G	28	1	22	22	46	46	46	10	48	74	55.0	88.0	38.5	15
SHBLF30-06G	30	3/4	25	16	46	46	46	10	48	74	55.5	88.5	40.5	15
SHBLF30-08G	30	1	25	22	46	46	46	10	48	74	55.5	88.5	40.5	15



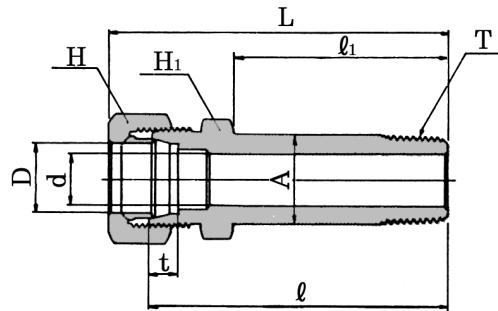
Designations	Tube O.D		d	Width across flat		t	l ₁	ℓ	Approx L
	D	A		H ₁	H				
SCW-06	6	12	4	14	14	7	11	29	39.5
SCW-08	8	14	6	17	17	7	15	34	44.5
SCW-10	10	16	8	17	19	7	15	34	45.5
SCW-12	12	18	10	19	22	7	15	34	45.5
SCW-15	15	21	12	24	27	7.5	18	40	52.5
SCW-16	16	22	13	27	30	7.5	22	44	56.5
SCW-18	18	25	14	27	32	8	22	44	56.5
SCW-20	20	28	17	30	36	8	22	46	58.5
SCW-22	22	28	18	32	36	9	22	46	58.5
SCW-25	25	33	20	36	41	10	26	51	64.5
SCW-28	28	36	22	41	46	10	28	55	69
SCW-30	30	39	25	41	46	10	28	55	69.5
SCW-32	32	40	26	46	50	11	28	56	70.5
SCW-35	35	43	28	46	55	11	28	56	73.5
SCW-38	38	45	32	50	60	12	28	58	77.5
SCW-40	40	46	32	55	60	12	30	65	84.5
SCW-50	50	57	40	65	75	12	30	70	91.5
SCW-81	1/8	10.5	16	8	17	7	15	34	45.5
SCW-82	1/4	13.8	19	11	22	7.5	18	40	52
SCW-83	3/8	17.3	24	14	27	8	22	44	56.5
SCW-84	1/2	21.7	28	18	32	9	22	46	58.5
SCW-85	3/4	27.2	33	22	41	10	25	52	66
SCW-86	1	34.0	40	28	46	11	28	56	73.5
SCW-87	1 1/4	42.7	47	34	60	12	28	65	85.5
SCW-88	1 1/2	48.6	55	40	65	12	30	70	91.5



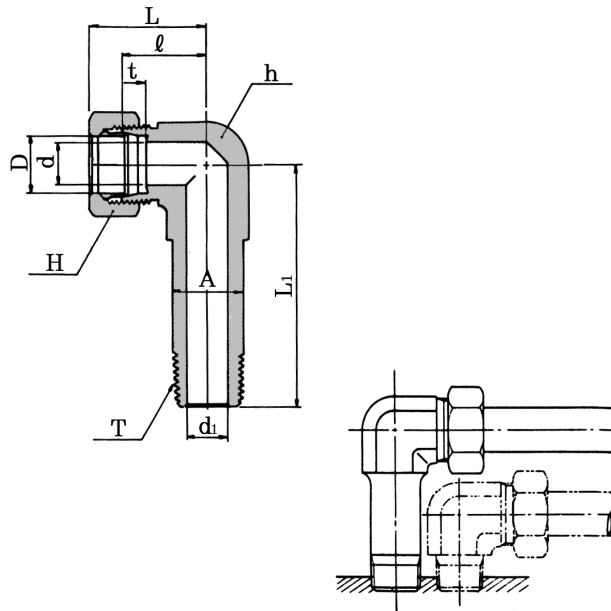
Designations	Tube O.D	d	Width across flat		t	l	Approx
	D		h	H			L
SC-06	6	4	17	14	7	23	33.5
SC-08	8	6	17	17	7	23	33.5
SC-10	10	8	19	19	7	24	35.5
SC-12	12	10	19	22	7	24	35.5
SC-15	15	12	27	27	7.5	32	44.5
SC-16	16	13	27	30	7.5	32	44.5
SC-18	18	14	30	32	8	33	45.5
SC-20	20	17	30	36	8	33	45.5
SC-25	25	20	36	41	10	36	49.5
SC-30	30	25	46	46	10	45	59.5
SC-32	32	26	46	50	11	45	59.5

[LONG MALE CONNECTOR]

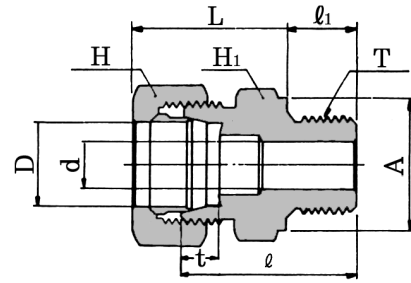
SLMC



Designations	Tube O.D		d	Width across flat		t	A	ℓ	ℓ ₁	Approx	
	D	(PT) T		H ₁	H					L	
SLMC04-01R	4	1/8	2.5	12	12	6	10.5	46	30	53.5	
SLMC06-01R	6	1/8	4	14	14	7	10.5	63	41	73.5	
SLMC08-02R	8	1/4	6	17	17	7	14	70	45	80.5	
SLMC10-02R	10	1/4	7	17	19	7	14	71	46	82.5	
SLMC10-03R	10	3/8	8	19	19	7	17.5	72	46.5	83.5	
SLMC12-02R	12	1/4	7	19	22	7	14	71	46	82.5	
SLMC12-03R	12	3/8	9	19	22	7	17.5	72	46.5	83.5	
SLMC15-03R	15	3/8	9	24	27	7.5	17.5	81	52.5	93.5	
SLMC15-04R	15	1/2	12	24	27	7.5	22	86	56	98.5	
SLMC16-04R	16	1/2	12	27	30	7.5	22	86	56	98.5	
SLMC18-04R	18	1/2	12	27	32	8	22	86	56	98.5	
SLMC20-06R	20	3/4	16	30	36	8	27.5	92	58.5	104.5	
SLMC22-06R	22	3/4	16	32	36	9	27.5	93	59.5	105.5	
SLMC25-08R	25	1	20	36	41	10	34	99	63.5	112.5	
SLMC28-08R	28	1	22	41	46	10	34	104	66.5	118	
SLMC30-10R	30	1 1/4	25	46	46	10	42.5	109	68.5	124	
SLMC32-10R	32	1 1/4	26	46	50	11	42.5	110	69.5	125	
SLMC81-02R	1/8	10.5	1/4	7	17	19	7	14	71	46	82.5
SLMC82-03R	1/4	13.8	3/8	9	22	24	7.5	17.5	81	52.5	93
SLMC83-03R	3/8	17.3	3/8	9	27	32	8	17.5	81	52.5	93.5
SLMC83-04R	3/8	17.3	1/2	12	27	32	8	22	86	56	98.5
SLMC84-06R	1/2	21.7	3/4	16	32	36	9	27.5	93	59.5	105.5
SLMC85-08R	3/4	27.2	1	22	41	46	10	34	104	66.5	118



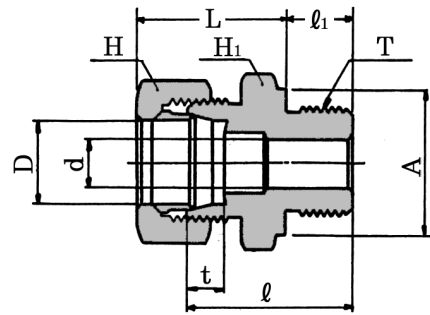
Designations	Tube O.D	(PT)	d	d _i	Width across flat		t	A	l	Approx	
	D	T			h	H				L	L ₁
SLLM06-01R	6	1/8	4	4	14	14	7	12	20	30.5	40
SLLM08-02R	8	1/4	6	7	17	17	7	16	23	33.5	49
SLLM10-02R	10	1/4	8	7	17	19	7	16	23	34.5	52
SLLM12-02R	12	1/4	10	7	19	22	7	18	24	35.5	58
SLLM12-03R	12	3/8	10	9	19	22	7	18	24	35.5	59.5
SLLM15-03R	15	3/8	12	9	24	27	7.5	23	29	41.5	68
SLLM15-04R	15	1/2	12	12	24	27	7.5	23	29	41.5	75.5
SLLM16-04R	16	1/2	13	12	27	30	7.5	24	32	44.5	78.5
SLLM18-04R	18	1/2	14	12	27	32	8	26	32	44.5	85.5
SLLM20-06R	20	3/4	17	16	30	36	8	28	33	45.5	92
SLLM22-06R	22	3/4	18	16	32	36	9	30	34	46.5	93
SLLM25-06R	25	3/4	20	16	36	41	10	35	36	49.5	100
SLLM25-08R	25	1	20	22	36	41	10	35	36	49.9	102
SLLM28-08R	28	1	22	22	41	46	10	40	41	55	115
SLLM30-10R	30	1 1/4	25	31	46	46	10	44	46	60.5	117.5
SLLM32-10R	32	1 1/4	26	31	46	50	11	44	46	60.5	117.5
SLLM35-10R	35	1 1/4	28	31	46	55	11	44	46	63.5	134.5



Designations	Tube O.D		(PF)	d	Width across flat		t	A	l ₁	l	Approx
	D	T			H ₁	H					L
SMC-G04-01	4	1/8	2.5	14	12	6	14	8	23	22.5	
SMC-G06-01	6	1/8	4	14	14	7	14	8	28	30.5	
SMC-G06-02	6	1/4	4	19	14	7	18	12	33	31.5	
SMC-G08-01	8	1/8	4	17	17	7	14	8	28	30.5	
SMC-G08-02	8	1/4	6	19	17	7	18	12	33	31.5	
SMC-G10-02	10	1/4	6	19	19	7	18	12	33	32.5	
SMC-G10-03	10	3/8	8	22	19	7	21.5	12	34	33.5	
SMC-G12-02	12	1/4	6	19	22	7	18	12	33	32.5	
SMC-G12-03	12	3/8	8	22	22	7	21.5	12	34	33.5	
SMC-G12-04	12	1/2	10	27	22	7	25.5	14	39	36.5	
SMC-G15-03	15	3/8	8	24	27	7.5	21.5	12	37	37.5	
SMC-G15-04	15	1/2	12	27	27	7.5	25.5	14	41	39.5	
SMC-G16-04	16	1/2	12	27	30	7.5	25.5	14	41	39.5	
SMC-G18-04	18	1/2	12	27	32	8	25.5	14	41	39.5	
SMC-G20-06	20	3/4	16	32	36	8	31.5	16	46	42.5	
SMC-G22-04	22	1/2	12	32	36	9	25.5	14	43	41.5	
SMC-G22-06	22	3/4	16	32	36	9	31.5	16	46	42.5	
SMC-G25-06	25	3/4	16	36	41	10	31.5	16	46	43.5	
SMC-G25-08	25	1	20	41	41	10	38	18	50	45.5	
SMC-G28-08	28	1	22	41	46	10	38	18	52	48	
SMC-G30-08	30	1	22	41	46	10	38	18	52	48.5	
SMC-G30-10	30	1 1/4	25	50	46	10	48.5	20	57	51.5	
SMC-G32-10	32	1 1/4	26	50	50	11	48.5	20	57	51.5	
SMC-G35-10	35	1 1/4	28	50	55	11	48.5	20	57	54.5	
SMC-G38-12	38	1 1/2	32	55	60	12	53.5	21	58	56.5	
SMC-G40-12	40	1 1/2	32	55	60	12	53.5	21	62	60.5	
SMC-G42-12	42	1 1/2	34	55	60	12	53.5	21	62	60.5	
SMC-G50-16	50	2	40	70	75	12	66	25	73	69.5	
SMC-G81-01	1/8	10.5	1/8	4	17	19	7	14	8	29	32.5
SMC-G81-02	1/8	10.5	1/4	6	19	19	7	18	12	33	32.5
SMC-G82-02	1/4	13.8	1/4	6	22	24	7.5	18	12	36	36
SMC-G82-03	1/4	13.8	3/8	8	22	24	7.5	21.5	12	36	36
SMC-G83-03	3/8	17.3	3/8	8	27	32	8	21.5	12	38	38.5
SMC-G83-04	3/8	17.3	1/2	12	27	32	8	25.5	14	41	39.5
SMC-G84-04	1/2	21.7	1/2	12	32	36	9	25.5	14	43	41.5
SMC-G84-06	1/2	21.7	3/4	16	32	36	9	31.5	16	46	42.5
SMC-G85-06	3/4	27.2	3/4	16	41	46	10	31.5	16	50	48
SMC-G85-08	3/4	27.2	1	22	41	46	10	38	18	52	48
SMC-G86-08	1	34.0	1	22	46	55	11	38	18	54	53.5
SMC-G86-10	1	34.0	1 1/4	28	50	55	11	48.5	20	57	54.5
SMC-G87-10	1 1/4	42.7	1 1/4	31	60	65	12	48.5	20	63	63.5
SMC-G87-12	1 1/4	42.7	1 1/2	34	60	65	12	53.5	21	64	63.5
SMC-G88-12	1 1/2	48.6	1 1/2	36	65	75	12	53.5	21	65	65.5
SMC-G88-16	1 1/2	48.6	2	40	70	75	12	66	25	73	69.5

[MALE CONNECTOR(FOR O-SEAL)]

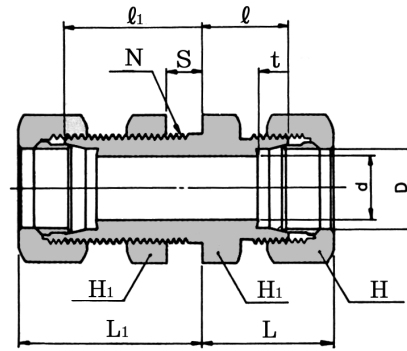
SOM



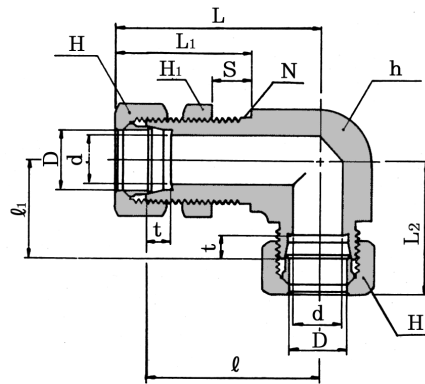
Designations	Tube O.D		(PF)	d	Width across flat		t	A	l ₁	l	Approx L
	D	T			H ₁	H					
SOM04-01	4	1/8	2.5	14	12	6	14	8	23	22.5	
SOM06-01	6	1/8	4	14	14	7	14	8	28	30.5	
SOM06-02	6	1/4	4	19	14	7	19	12	33	31.5	
SOM08-01	8	1/8	4	17	17	7	14	8	28	30.5	
SOM08-02	8	1/4	6	19	17	7	19	12	33	31.5	
SOM10-02	10	1/4	6	19	19	7	19	12	33	32.5	
SOM10-03	10	3/8	8	22	19	7	22	12	34	33.5	
SOM12-02	12	1/4	6	19	22	7	19	12	33	32.5	
SOM12-03	12	3/8	8	22	22	7	22	12	34	33.5	
SOM12-04	12	1/2	10	27	22	7	27	14	39	36.5	
SOM15-03	15	3/8	8	24	27	7.5	22	12	37	37.5	
SOM15-04	15	1/2	12	27	27	7.5	27	14	41	39.5	
SOM16-04	16	1/2	12	27	30	7.5	27	14	41	39.5	
SOM18-04	18	1/2	12	27	32	8	27	14	41	39.5	
SOM20-06	20	3/4	16	32	36	8	36	16	46	42.5	
SOM22-04	22	1/2	12	32	36	9	27	14	43	41.5	
SOM22-06	22	3/4	16	32	36	9	36	16	46	42.5	
SOM25-06	25	3/4	16	36	41	10	36	16	46	43.5	
SOM25-08	25	1	20	41	41	10	41	18	50	45.5	
SOM28-08	28	1	22	41	46	10	41	18	52	48	
SOM30-08	30	1	22	41	46	10	41	18	52	48.5	
SOM30-10	30	1 1/4	25	50	46	10	50	20	57	51.5	
SOM32-10	32	1 1/4	26	50	50	11	50	20	57	51.5	
SOM35-10	35	1 1/4	28	50	55	11	50	20	57	54.5	
SOM38-12	38	1 1/2	32	55	60	12	55	21	58	56.5	
SOM40-12	40	1 1/2	32	55	60	12	55	21	62	60.5	
SOM42-12	42	1 1/2	34	55	60	12	55	21	62	60.5	
SOM50-16	50	2	40	70	75	12	75	25	73	69.5	
SOM81-01	1/8	10.5	1/8	4	17	19	7	14	8	29	32.5
SOM81-02	1/8	10.5	1/4	6	19	19	7	19	12	33	32.5
SOM82-02	1/4	13.8	1/4	6	22	24	7.5	19	12	36	36
SOM82-03	1/4	13.8	3/8	8	22	24	7.5	22	12	36	36
SOM83-03	3/8	17.3	3/8	8	27	32	8	22	12	38	38.5
SOM83-04	3/8	17.3	1/2	12	27	32	8	27	14	41	39.5
SOM84-04	1/2	21.7	1/2	12	32	36	9	27	14	43	41.5
SOM84-06	1/2	21.7	3/4	16	32	36	9	36	16	46	42.5
SOM85-06	3/4	27.2	3/4	16	41	46	10	36	16	50	48
SOM85-08	3/4	27.2	1	22	41	46	10	41	18	52	48
SOM86-08	1	34.0	1	22	46	55	11	41	18	54	53.5
SOM86-10	1	34.0	1 1/4	28	50	55	11	50	20	57	54.5
SOM87-10	1 1/4	42.7	1 1/4	31	60	65	12	50	20	63	63.5
SOM87-12	1 1/4	42.7	1 1/2	34	60	65	12	55	21	64	63.5
SOM88-12	1 1/2	48.6	1 1/2	36	65	75	12	55	21	65	65.5
SOM88-16	1 1/2	48.6	2	40	70	75	12	75	25	73	69.5

[STRAIGHT BULKHEAD UNION]

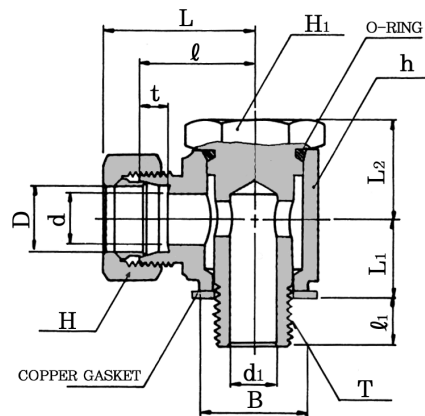
SBU



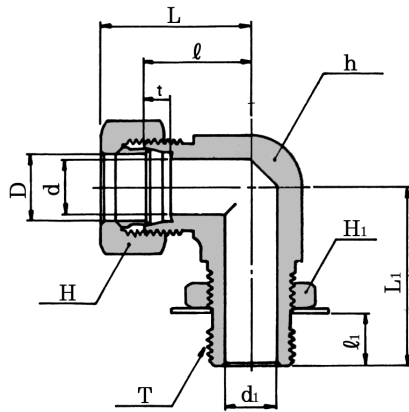
Designations	Tube O.D		Width across flat		t	l ₁	l	Approx		Panel Hole Drill size N	Max Panel thickness S	
	D	d	H ₁	H				L ₁	L			
SBU-04	4	2.5	14	12	6	25	14	32.5	21.5	10.5	13	
SBU-06	6	4	17	14	7	32	19	42.5	29.5	12.5	13	
SBU-08	8	6	19	17	7	32	19	42.5	29.5	14.5	13	
SBU-10	10	8	22	19	7	32	20	43.5	31.5	16.5	13	
SBU-12	12	10	24	22	7	32	20	43.5	31.5	18.5	13	
SBU-15	15	12	27	27	7.5	37	22	49.5	34.5	22.5	15	
SBU-16	16	13	30	30	7.5	37	24	49.5	36.5	24.5	15	
SBU-18	18	14	32	32	8	39	24	51.5	36.5	26.5	15	
SBU-20	20	17	32	36	8	39	24	51.5	36.5	28.5	15	
SBU-22	22	18	36	36	9	39	25	51.5	37.5	30.5	15	
SBU-25	25	20	41	41	10	39	25	52.5	38.5	35.5	15	
SBU-28	28	22	46	46	10	41	28	55.0	42.0	38.5	15	
SBU-30	30	25	46	46	10	41	28	55.5	42.5	40.5	15	
SBU-32	32	26	50	50	11	43	30	57.5	44.5	42.5	15	
SBU-35	35	28	50	55	11	43	30	60.5	47.5	45.5	15	
SBU-38	38	32	55	60	12	45	31	64.5	50.5	48.5	15	
SBU-40	40	32	60	60	12	50	37	69.5	56.5	52.5	15	
SBU-50	50	40	70	75	12	50	43	71.5	64.5	64.5	15	
SBU-81	1/8	10.5	8	22	19	7	32	20	43.5	31.5	16.5	13
SBU-82	1/4	13.8	11	27	24	7.5	37	22	49.0	34.0	20.5	15
SBU-83	3/8	17.3	14	32	32	8	39	24	51.5	36.5	26.5	15
SBU-84	1/2	21.7	18	36	36	9	39	25	51.5	37.5	30.5	15
SBU-85	3/4	27.2	22	46	46	10	41	28	55	42.0	38.5	15
SBU-86	1	34.0	28	50	55	11	43	30	60.5	47.5	45.5	15
SBU-87	1 1/4	42.7	34	65	65	12	50	40	70.5	60.5	56.5	15
SBU-88	1 1/2	48.6	40	70	75	12	50	43	71.5	64.5	64.5	15



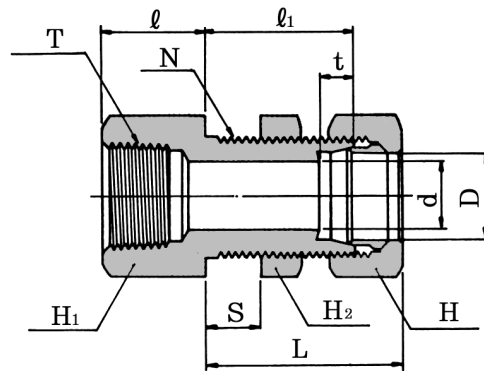
Designations	Tube O.D D	d	Width across flat			t	l ₁	l	Approx			Panel Hole Drill size N	Max Panel thickness S
			h	H ₁	H				L ₁	L ₂	L		
SBL-06	6	4	17	17	14	7	23	45	42.5	33.5	55.5	12.5	13
SBL-08	8	6	19	19	17	7	24	46	42.5	34.5	56.5	14.5	13
SBL-10	10	8	22	22	19	7	26	48	43.5	37.5	59.5	16.5	13
SBL-12	12	10	24	24	22	7	27	49	43.5	38.5	60.5	18.5	13
SBL-15	15	12	27	27	27	7.5	31	57	49.5	43.5	69.5	22.5	15
SBL-16	16	13	30	30	30	7.5	33	59	49.5	45.5	71.5	24.5	15
SBL-18	18	14	32	32	32	8	33	63	51.5	45.5	75.5	26.5	15
SBL-20	20	17	32	32	36	8	33	65	51.5	45.5	77.5	28.5	15
SBL-22	22	18	36	36	36	9	36	65	51.5	48.5	77.5	30.5	15
SBL-25	25	20	41	41	41	10	39	68	52.5	52.5	81.5	35.5	15
SBL-28	28	22	41	46	46	10	41	70	55.0	55.0	84.0	38.5	15
SBL-30	30	25	46	46	46	10	46	74	55.5	60.5	88.5	40.5	15



Designations	Tube O.D		(PF) T	d ₁	d	Width across flat			t	l ₁	l	Approx			B	O-ring
	D					h	H ₁	H				L ₁	L ₂	L		
SSLM06-01G	6		1/8	4	4	18	17	14	7	8	23	13	14	33.5	14	P10
SSLM08-02G	8		1/4	7	6	22	22	17	7	12	25	16	17	35.5	18	P12
SSLM10-02G	10		1/4	7	8	22	22	19	7	12	25	16	17	36.5	18	P12
SSLM12-03G	12		3/8	9	10	28	27	22	7	12	29	19	22	40.5	21.5	P18
SSLM15-04G	15		1/2	12	12	36	36	27	7.5	14	36	24	28	48.5	25.5	P22
SSLM16-04G	16		1/2	12	13	36	36	30	7.5	14	36	24	28	48.5	25.5	P22
SSLM18-04G	18		1/2	12	14	36	36	32	8	14	36	24	28	48.5	25.5	P22
SSLM20-06G	20		3/4	16	17	42	41	36	8	16	38	28	32	50.5	31.5	P28
SSLM22-06G	22		3/4	16	18	42	41	36	9	16	38	28	32	50.5	31.5	P28
SSLM25-08G	25		1	22	20	50	50	41	10	18	42	37	38	55.5	38	P36
SSLM28-08G	28		1	22	22	50	50	46	10	18	42	37	38	56	38	P36
SSLM81-02G	1/8	10.5	1/4	7	8	22	22	19	7	12	25	16	17	36.5	18	P12
SSLM82-03G	1/4	13.8	3/8	9	11	28	27	24	7.5	12	29	19	22	41	21.5	P18
SSLM83-04G	3/8	17.3	1/2	12	14	37	30	32	8	14	36	24	28	48.5	25.5	P22
SSLM84-06G	1/2	21.7	3/4	16	18	42	41	36	9	16	38	28	32	50.5	31.5	P28
SSLM85-08G	3/4	27.2	1	22	22	50	50	46	10	18	42	37	38	56	38	P36

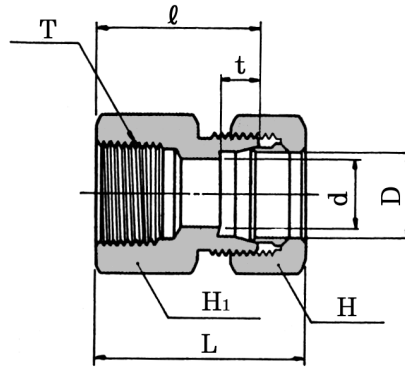


Designations	Tube O.D D	(PF) T	d ₁	d	Width across flat			t	l ₁	l	Approx	
					h	H ₁	H				L ₁	L
SOLM06-01G	6	1/8	4	4	14	14	14	7	10	20	30	30.5
SOLM08-02G	8	1/4	6	7	17	19	17	7	12	23	34	33.5
SOLM10-02G	10	1/4	8	7	17	19	19	7	12	23	35	34.5
SOLM12-02G	12	1/4	10	7	19	19	22	7	12	24	36	35.5
SOLM12-03G	12	3/8	10	9	19	22	22	7	12	24	36	35.5
SOLM12-04G	12	1/2	10	12	24	27	22	7	16	24	46	35.5
SOLM15-03G	15	3/8	12	9	24	22	27	7.5	12	29	40	41.5
SOLM15-04G	15	1/2	12	12	24	27	27	7.5	16	29	46	41.5
SOLM16-04G	16	1/2	13	12	24	27	30	7.5	16	32	46	44.5
SOLM18-04G	18	1/2	14	12	30	27	32	8	16	32	52	44.5
SOLM20-06G	20	3/4	17	16	30	36	36	8	17	33	52	45.5
SOLM22-06G	22	3/4	18	16	32	36	36	9	17	34	52	46.5
SOLM25-06G	25	3/4	20	16	36	36	41	10	17	36	60	49.5
SOLM25-08G	25	1	20	22	36	41	41	10	21	36	62	49.5
SOLM28-08G	28	1	22	22	41	41	46	10	21	41	62	55
SOLM30-08G	30	1	25	22	41	41	46	10	21	41	66	55.5
SOLM30-10G	30	1 1/4	25	31	46	50	46	10	21	44	66	58.5
SOLM32-10G	32	1 1/4	26	31	46	50	50	11	21	46	66	60.5
SOLM35-10G	35	1 1/4	28	31	46	50	55	11	21	46	66	63.5
SOLM38-12G	38	1 1/2	32	36	50	55	60	12	21	50	73	69.5

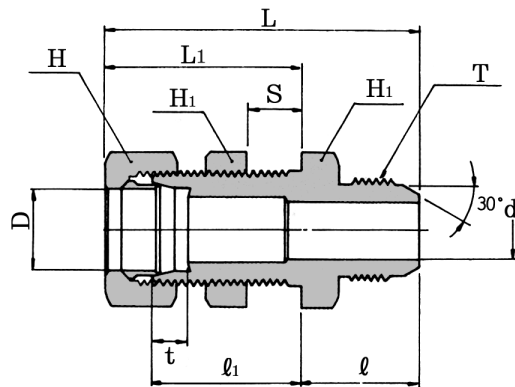


Designations	Tube O.D (PT)		d	Width across flat			t	l ₁	l	Approx L	Panel Hole	Max Panel
	D	T		H ₁	H ₂	H					Drill size N	thickness S
SBFC06-01R	6	1/8	4	17	17	14	7	32	13	42.5	12.5	13
SBFC08-02R	8	1/4	6	19	19	17	7	32	18	42.5	14.5	13
SBFC10-02R	10	1/4	8	19	22	19	7	32	18	43.5	16.5	13
SBFC10-03R	10	3/8	8	24	22	19	7	32	20	43.5	16.5	13
SBFC12-02R	12	1/4	10	19	24	22	7	32	18	43.5	18.5	13
SBFC12-03R	12	3/8	10	24	24	22	7	32	20	43.5	18.5	13
SBFC15-03R	15	3/8	12	24	27	27	7.5	37	20	49.5	22.5	15
SBFC15-04R	15	1/2	12	30	27	27	7.5	37	25	49.5	22.5	15
SBFC16-04R	16	1/2	13	30	30	30	7.5	37	25	49.5	24.5	15
SBFC18-04R	18	1/2	14	30	32	32	8	39	25	51.5	26.5	15
SBFC20-06R	20	3/4	17	36	32	36	8	39	27	51.5	28.5	15
SBFC22-06R	22	3/4	18	36	36	36	9	39	27	51.5	30.5	15
SBFC25-06R	25	3/4	20	41	41	41	10	39	27	52.5	35.5	15
SBFC25-08R	25	1	20	46	41	41	10	39	31	52.5	35.5	15
SBFC28-08R	28	1	22	46	46	46	10	41	31	55	38.5	15
SBFC30-08R	30	1	25	46	46	46	10	41	31	55.5	40.5	15
SBFC30-10R	30	1 1/4	25	55	46	46	10	41	35	55.5	40.5	15
SBFC32-10R	32	1 1/4	26	55	46	50	11	43	35	57.5	42.5	15

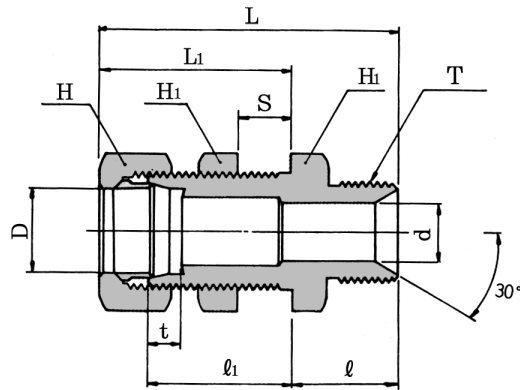
[FEMALE CONNECTOR] SFC



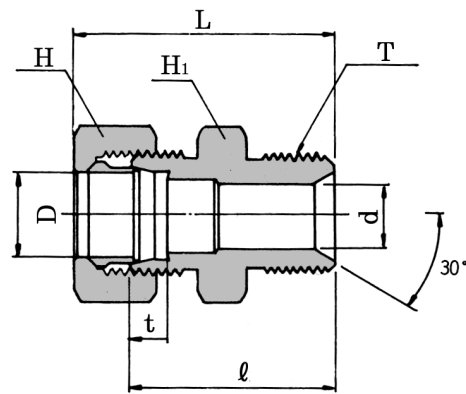
Designations	Tube O.D		(PT)	d	Width across flat		t	l	Approx
	D	T			H ₁	H			L
SFC06-01R	6	1/8	4	17	14	7	25	35.5	
SFC08-02R	8	1/4	6	19	17	7	30	40.5	
SFC10-02R	10	1/4	8	19	19	7	30	41.5	
SFC10-03R	10	3/8	8	24	19	7	32	43.5	
SFC12-02R	12	1/4	10	19	22	7	30	41.5	
SFC12-03R	12	3/8	10	24	22	7	32	43.5	
SFC15-03R	15	3/8	12	24	27	7.5	34	46.5	
SFC15-04R	15	1/2	12	30	27	7.5	39	51.5	
SFC16-04R	16	1/2	13	30	30	7.5	39	51.5	
SFC18-04R	18	1/2	14	30	32	8	39	51.5	
SFC20-06R	20	3/4	17	36	36	8	41	53.5	
SFC22-06R	22	3/4	18	36	36	9	41	53.5	
SFC25-06R	25	3/4	20	36	41	10	41	54.5	
SFC25-08R	25	1	20	46	41	10	45	58.5	
SFC28-08R	28	1	22	46	46	10	47	61	
SFC30-08R	30	1	25	46	46	10	47	61.5	
SFC30-10R	30	1 1/4	25	55	46	10	51	65.5	
SFC32-10R	32	1 1/4	26	55	50	11	51	65.5	
SFC35-10R	35	1 1/4	28	55	55	11	51	68.5	
SFC38-12R	38	1 1/2	32	65	60	12	51	70.5	
SFC40-12R	40	1 1/2	32	65	60	12	55	74.5	
SFC42-12R	42	1 1/2	34	65	60	12	55	74.5	
SFC50-16R	50	2	40	80	75	12	60	81.5	
SFC81-02R	1/8	10.5	1/4	8	19	19	7	30	41.5
SFC82-03R	1/4	13.8	3/8	11	24	24	7.5	34	46
SFC83-04R	3/8	17.3	1/2	14	30	32	8	39	51.5
SFC84-06R	1/2	21.7	3/4	18	36	36	9	41	53.5
SFC85-08R	3/4	27.2	1	22	46	46	10	47	61
SFC86-10R	1	34.0	1 1/4	28	55	55	11	51	68.5
SFC87-12R	1 1/4	42.7	1 1/2	34	65	65	12	55	78.5
SFC88-16R	1 1/2	48.6	2	40	80	75	12	60	81.5



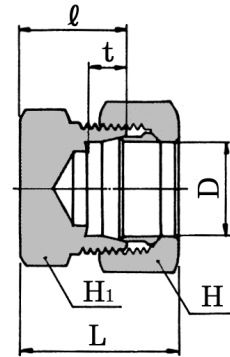
Designations	Tube O.D (PF)		d	Width across flat		t	l ₁	l	Approx		Panel Hole Drill size N	Max Panel thickness S
	D	T		H ₁	H				L ₁	L		
SHBUM08-02G	8	1/4	6	19	17	7	32	23	42.5	65.5	14.5	13
SHBUM08-03G	8	3/8	6	19	17	7	32	25	42.5	67.5	14.5	13
SHBUM10-02G	10	1/4	6	22	19	7	32	24	43.5	67.5	16.5	13
SHBUM10-03G	10	3/8	8	22	19	7	32	26	43.5	69.5	16.5	13
SHBUM10-04G	10	1/2	8	22	19	7	32	28	43.5	71.5	16.5	13
SHBUM12-02G	12	1/4	6	24	22	7	32	24	43.5	67.5	18.5	13
SHBUM12-03G	12	3/8	9	24	22	7	32	26	43.5	69.5	18.5	13
SHBUM12-04G	12	1/2	10	24	22	7	32	28	43.5	71.5	18.5	13
SHBUM15-03G	15	3/8	9	27	27	7.5	37	26	49.5	75.5	22.5	15
SHBUM15-04G	15	1/2	12	27	27	7.5	37	28	49.5	77.5	22.5	15
SHBUM16-03G	16	3/8	9	30	30	7.5	37	28	49.5	77.5	24.5	15
SHBUM16-04G	16	1/2	12	30	30	7.5	37	30	49.5	79.5	24.5	15
SHBUM18-04G	18	1/2	12	32	32	8	39	30	51.5	81.5	26.5	15
SHBUM20-06G	20	3/4	16	32	36	8	39	32	51.5	83.5	28.5	15
SHBUM22-04G	22	1/2	12	36	36	9	39	31	51.5	82.5	30.5	15
SHBUM22-06G	22	3/4	16	36	36	9	39	33	51.5	84.5	30.5	15
SHBUM25-06G	25	3/4	16	41	41	10	39	33	52.5	87.5	35.5	15
SHBUM25-08G	25	1	20	41	41	10	39	35	52.5	89.5	35.5	15
SHBUM28-06G	28	3/4	16	46	46	10	41	34	55	89	38.5	15
SHBUM28-08G	28	1	22	46	46	10	41	36	55	91	38.5	15
SHBUM30-06G	30	3/4	16	46	46	10	41	34	55.5	89.5	40.5	15
SHBUM30-08G	30	1	22	46	46	10	41	36	55.5	91.5	40.5	15
SHBUM32-08G	32	1	22	50	50	11	43	38	57.5	95.5	42.5	15
SHBUM32-10G	32	1 1/4	28	50	50	11	43	42	57.5	99.5	42.5	15



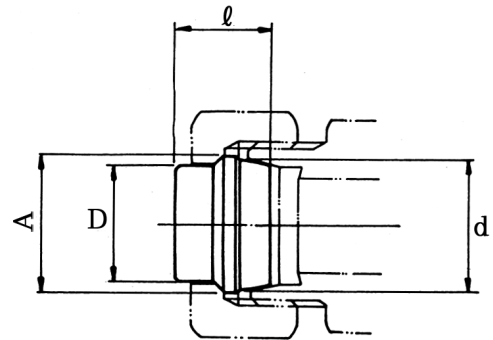
Designations	Tube O.D D	(PF) T	d	Width across flat		t	l ₁	l	Approx		Panel Hole Drill size N	Max Panel thickness S
				H ₁	H				L ₁	L		
SHBUF08-02G	8	1/4	6	19	17	7	32	21	42.5	63.5	14.5	13
SHBUF08-03G	8	3/8	6	19	17	7	32	22	42.5	64.5	14.5	13
SHBUF10-02G	10	1/4	6	22	19	7	32	22	43.5	65.5	16.5	13
SHBUF10-03G	10	3/8	8	22	19	7	32	23	43.5	66.5	16.5	13
SHBUF10-04G	10	1/2	8	22	19	7	32	26	43.5	69.5	16.5	13
SHBUF12-02G	12	1/4	6	24	22	7	32	22	43.5	65.5	18.5	13
SHBUF12-03G	12	3/8	9	24	22	7	32	23	43.5	66.5	18.5	13
SHBUF12-04G	12	1/2	10	24	22	7	32	26	43.5	69.5	18.5	13
SHBUF15-03G	15	3/8	9	27	27	7.5	37	23	49.5	72.5	22.5	15
SHBUF15-04G	15	1/2	12	27	27	7.5	37	26	49.5	75.5	22.5	15
SHBUF16-03G	16	3/8	9	30	30	7.5	37	25	49.5	74.5	24.5	15
SHBUF16-04G	16	1/2	12	30	30	7.5	37	28	49.5	77.5	24.5	15
SHBUF18-04G	18	1/2	12	32	32	8	39	28	51.5	79.5	26.5	15
SHBUF20-06G	20	3/4	16	32	36	8	39	29	51.5	80.5	28.5	15
SHBUF22-04G	22	1/2	12	36	36	9	39	29	51.5	80.5	30.5	15
SHBUF22-06G	22	3/4	16	36	36	9	39	30	51.5	81.5	30.5	15
SHBUF25-06G	25	3/4	16	41	41	10	39	30	52.5	82.5	35.5	15
SHBUF25-08G	25	1	20	41	41	10	39	32	52.5	84.5	35.5	15
SHBUF28-06G	28	3/4	16	46	46	10	41	31	55	86	38.5	15
SHBUF28-08G	28	1	22	46	46	10	41	33	55	88	38.5	15
SHBUF30-06G	30	3/4	16	46	46	10	41	31	55.5	86.5	40.5	15
SHBUF30-08G	30	1	22	46	46	10	41	33	55.5	88.5	40.5	15
SHBUF32-08G	32	1	22	50	50	11	43	35	57.5	92.5	42.5	15
SHBUF32-10G	32	1 1/4	28	50	50	11	43	41	57.5	98.5	42.5	15
SHBUF38-12G	38	1 1/2	31	55	60	12	45	42	64.5	106.5	48.5	15
SHBUF40-12G	40	1 1/2	32	60	60	12	50	44	69.5	113.5	52.5	15
SHBUF50-16G	50	2	40	70	75	12	50	53	71.5	124.5	64.5	15



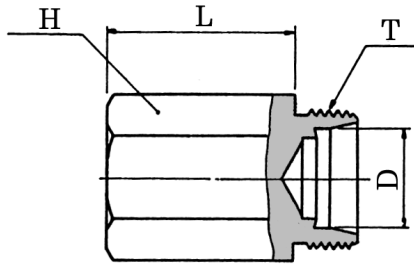
Designations	Tube O.D		(PF) T	d	Width across flat		t	ℓ	Approx L
	D				H ₁	H			
SHUF08-02G	8		1/4	6	17	17	7	33	43.5
SHUF08-03G	8		3/8	6	19	17	7	34	44.5
SHUF10-02G	10		1/4	6	17	19	7	33	44.5
SHUF10-03G	10		3/8	8	19	19	7	34	45.5
SHUF10-04G	10		1/2	8	22	19	7	38	49.5
SHUF12-02G	12		1/4	6	19	22	7	33	44.5
SHUF12-03G	12		3/8	9	19	22	7	34	45.5
SHUF12-04G	12		1/2	10	22	22	7	38	49.5
SHUF15-03G	15		3/8	9	24	27	7.5	37	49.5
SHUF15-04G	15		1/2	12	24	27	7.5	40	52.5
SHUF16-03G	16		3/8	9	27	30	7.5	37	49.5
SHUF16-04G	16		1/2	12	27	30	7.5	40	52.5
SHUF18-04G	18		1/2	12	27	32	8	40	52.5
SHUF20-06G	20		3/4	16	30	36	8	43	55.5
SHUF22-04G	22		1/2	12	32	36	9	42	54.5
SHUF22-06G	22		3/4	16	32	36	9	43	55.5
SHUF25-06G	25		3/4	16	36	41	10	44	57.5
SHUF25-08G	25		1	20	36	41	10	46	59.5
SHUF28-06G	28		3/4	16	41	46	10	46	60
SHUF28-08G	28		1	22	41	46	10	48	62
SHUF30-06G	30		3/4	16	41	46	10	46	60.5
SHUF30-08G	30		1	22	41	46	10	48	62.5
SHUF32-08G	32		1	22	46	50	11	49	63.5
SHUF32-10G	32		1 1/4	28	46	50	11	55	69.5
SHUF38-12G	38		1 1/2	32	50	60	12	57	76.5
SHUF40-12G	40		1 1/2	32	55	60	12	62	81.5
SHUF50-16G	50		2	40	65	75	12	70	91.5



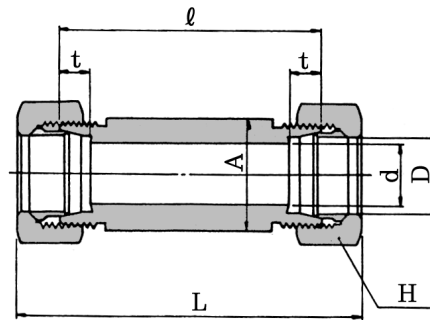
Designations	Tube O.D. D	Width across flat		t	l	Approx L
		H ₁	H			
SCA-06	6	14	14	7	18	28.5
SCA-08	8	17	17	7	19	29.5
SCA-10	10	17	19	7	20	31.5
SCA-12	12	19	22	7	20	31.5
SCA-15	15	24	27	7.5	22	34.5
SCA-16	16	27	30	7.5	24	36.5
SCA-18	18	27	32	8	24	36.5
SCA-20	20	30	36	8	24	36.5
SCA-22	22	32	36	9	25	37.5
SCA-25	25	36	41	10	25	38.5
SCA-28	28	41	46	10	28	42
SCA-30	30	41	46	10	28	42.5
SCA-32	32	46	50	11	30	44.5



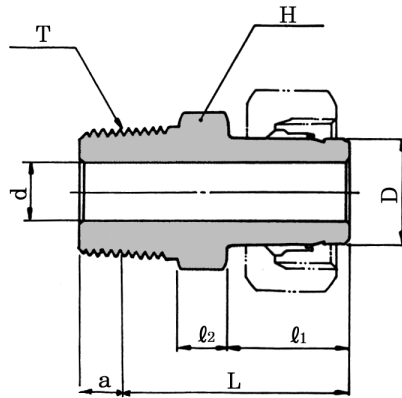
Designations	Tube O.D. D	d	A	l
SP-08	8	10	11	13.5
SP-10	10	12	13	14.5
SP-12	12	14	15	14.5
SP-15	15	17	18	16
SP-16	16	18	19	16
SP-18	18	20	21	17.5
SP-20	20	22	23	17.5
SP-22	22	24	25	17.5
SP-25	25	27.4	28.5	19
SP-28	28	30.4	31.5	19
SP-30	30	32.4	33.5	20
SP-32	32	34.4	35.5	20



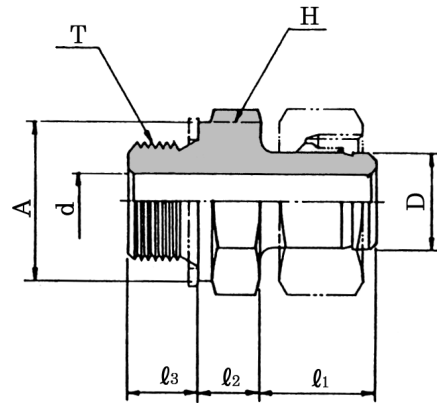
Designations	Tube O.D		L	H	T
		D			
SJ-06		6	40	17	M12×1.5
SJ-08		8	40	17	M14×1.5
SJ-10		10	40	17	M16×1.5
SJ-12		12	40	27	M18×1.5
SJ-15		15	40	27	M22×1.5
SJ-16		16	40	27	M24×1.5
SJ-18		18	40	27	M26×1.5
SJ-20		20	40	41	M28×1.5
SJ-22		22	40	41	M30×1.5
SJ-25		25	40	41	M35×1.5
SJ-28		28	40	41	M38×1.5
SJ-30		30	40	41	M40×1.5
SJ-32		32	40	55	M42×1.5
SJ-35		35	40	55	M45×1.5
SJ-38		38	50	55	M48×1.5
SJ-40		40	50	55	M52×2
SJ-42		42	50	55	M52×2
SJ-50		50	50	65	M64×2
SJ-81	1/8	10.5	40	17	M16×1.5
SJ-82	1/4	13.8	40	27	M20×1.5
SJ-83	3/8	17.3	40	27	M26×1.5
SJ-84	1/2	21.7	40	41	M30×1.5
SJ-85	3/4	27.2	40	41	M38×1.5
SJ-86	1	34.0	40	55	M45×1.5
SJ-87	1 1/4	42.7	50	65	M56×2
SJ-88	1 1/2	48.6	50	65	M64×2



Designations	Tube O.D		d	A	Width across flat		t	ℓ	Approx	
	D				H				L	
SBUW-06	6		4	16	14	7	74	95		
SBUW-08	8		6	16	17	7	74	95		
SBUW-10	10		8	19	19	7	74	97		
SBUW-12	12		10	20	22	7	74	97		
SBUW-15	15		12	25	27	7.5	78	103		
SBUW-16	16		13	28	30	7.5	78	103		
SBUW-18	18		14	28	32	8	78	103		
SBUW-20	20		17	32	36	8	78	103		
SBUW-22	22		18	32	36	9	78	103		
SBUW-25	25		20	38	41	10	78	105		
SBUW-28	28		22	39	46	10	82	110		
SBUW-30	30		25	46	46	10	82	111		
SBUW-32	32		26	46	50	11	82	111		
SBUW-35	35		28	46	55	11	82	117		
SBUW-38	38		32	55	60	12	82	121		
SBUW-40	40		32	55	60	12	90	129		
SBUW-50	50		40	65	75	12	90	133		
SBUW-81	1/8	10.5	8	19	19	7	74	97		
SBUW-82	1/4	13.8	11	22	24	7.5	78	102		
SBUW-83	3/8	17.3	14	28	32	8	78	103		
SBUW-84	1/2	21.7	18	32	36	9	78	103		
SBUW-85	3/4	27.2	22	39	46	10	82	110		
SBUW-86	1	34.0	28	46	55	11	82	117		
SBUW-87	1 1/4	42.7	34	58	65	12	90	131		
SBUW-88	1 1/2	48.6	40	65	75	12	90	133		



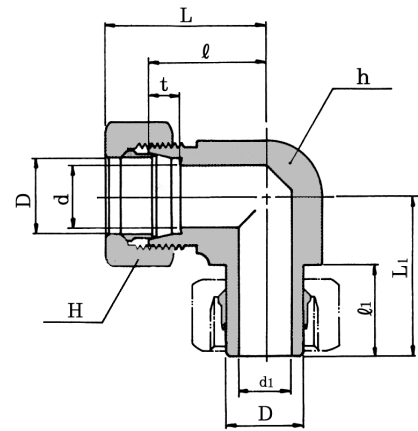
Designations	Tube O.D D	(PT) T	d	Width across flat H	l_1	l_2	Approx L	
SAR06-01	6	1/8	3	12	20	6	36	
SAR08-02	8	1/4	5	14	20	7	41	
SAR10-02	10	1/4	6	14	21	7	42	
SAR10-03	10	3/8	6	19	21	7	43	
SAR12-02	12	1/4	7	14	22	7	43	
SAR12-03	12	3/8	8	19	22	7	44	
SAR15-03	15	3/8	8	19	24	8	47	
SAR15-04	15	1/2	10	22	24	8	51	
SAR16-04	16	1/2	11	22	24	8	51	
SAR18-04	18	1/2	12	22	24	8	51	
SAR20-06	20	3/4	14	27	25	10	56	
SAR22-06	22	3/4	14	27	26	10	57	
SAR25-06	25	3/4	16	27	28	10	59	
SAR25-08	25	1	17	36	28	11	63	
SAR28-08	28	1	18	36	28	11	63	
SAR30-08	30	1	20	36	29	11	64	
SAR30-10	30	1 1/4	20	46	29	12	68	
SAR32-10	32	1 1/4	22	46	30	12	69	
SAR38-12	38	1 1/2	26	50	36	14	77	
SAR40-12	40	1 1/2	28	50	36	14	77	
SAR50-16	50	2	34	65	37	20	86.5	
SAR81-02	1/8	10.5	1/4	6	14	21	7	42
SAR82-03	1/4	13.8	3/8	9	19	22	8	45
SAR83-04	3/8	17.3	1/2	11	22	24	8	51
SAR84-06	1/2	21.7	3/4	14	27	26	10	57
SAR85-08	3/4	27.2	1	18	36	28	11	63
SAR86-10	1	34.0	1 1/4	23	46	33	12	72
SAR87-12	1 1/4	42.7	1 1/2	29	50	36	17	80
SAR88-16	1 1/2	48.6	2	33	65	37	20	86.5



Designations	Tube O.D		(PF) T	d	Width across flat		A	Approx		
	D				H			l ₁	l ₂	l ₃
SAG06-01	6		1/8	3	14	14	20	8	8	
SAG08-02	8		1/4	5	19	18	20	9	12	
SAG10-02	10		1/4	6	19	18	21	9	12	
SAG10-03	10		3/8	6	22	21.5	21	10	12	
SAG12-02	12		1/4	7	19	18	22	9	12	
SAG12-03	12		3/8	8	22	21.5	22	10	12	
SAG15-03	15		3/8	8	22	21.5	24	10	12	
SAG15-04	15		1/2	10	27	25.5	24	13	14	
SAG16-04	16		1/2	11	27	25.5	24	13	14	
SAG18-04	18		1/2	12	27	25.5	24	13	14	
SAG20-06	20		3/4	14	32	31.5	25	16	16	
SAG22-06	22		3/4	14	32	31.5	26	16	16	
SAG25-06	25		3/4	16	32	31.5	28	16	16	
SAG25-08	25		1	17	41	38	28	18	18	
SAG28-08	28		1	18	41	38	28	18	18	
SAG30-08	30		1	20	41	38	29	21	18	
SAG30-10	30		1 1/4	20	50	48.5	29	21	20	
SAG32-10	32		1 1/4	22	50	48.5	30	21	20	
SAG38-12	38		1 1/2	26	55	53.5	36	21	21	
SAG40-12	40		1 1/2	28	55	53.5	36	21	21	
SAG50-16	50		2	34	70	66	37	28	24	
SAG81-02	1/8	10.5	1/4	6	19	18	21	9	12	
SAG82-03	1/4	13.8	3/8	9	22	21.5	22	10	12	
SAG83-04	3/8	17.3	1/2	11	27	25.5	24	13	14	
SAG84-06	1/2	21.7	3/4	14	32	31.5	26	16	16	
SAG85-08	3/4	27.2	1	18	41	38	28	18	18	
SAG86-10	1	34.0	1 1/4	23	50	48.5	33	21	20	
SAG87-12	1 1/4	42.7	1 1/2	29	55	53.5	36	23	21	
SAG88-16	1 1/2	48.6	2	33	70	66	37	28	24	

[ADJUSTABLE ELBOW]

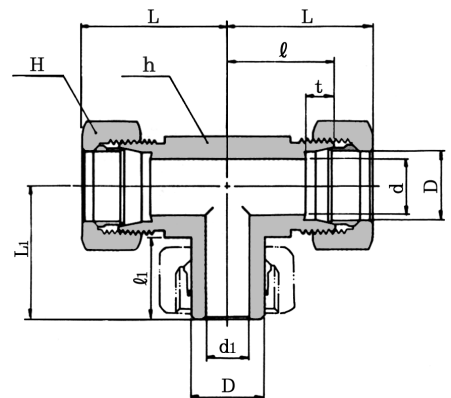
SLA



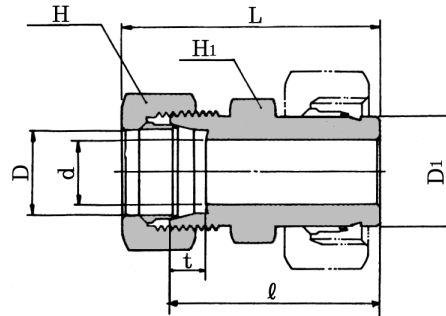
Designations	Tube O.D. D	d	d ₁	Width across flat		t	l	l ₁	Approx	
				h	H				L	L ₁
SLA-10	10	8	6	17	19	7	23	21	34.5	35
SLA-12	12	10	8	19	22	7	24	22	35.5	37
SLA-15	15	12	10	24	27	7.5	29	24	44.5	40
SLA-16	16	13	11	27	30	7.5	32	24	44.5	43
SLA-18	18	14	12	27	32	8	32	24	44.5	43
SLA-20	20	17	14	30	36	8	33	25	45.5	45
SLA-22	22	18	14	32	36	9	34	26	46.5	46
SLA-25	25	20	17	36	41	10	36	28	49.5	49
SLA-28	28	22	18	41	46	10	41	28	55	53
SLA-30	30	25	20	41	46	10	41	29	55.5	54
SLA-32	32	26	22	46	50	11	50	30	64.5	66
SLA-38	38	32	26	50	60	12	50	36	69.5	72

[ADJUSTABLE BRANCH TEE]

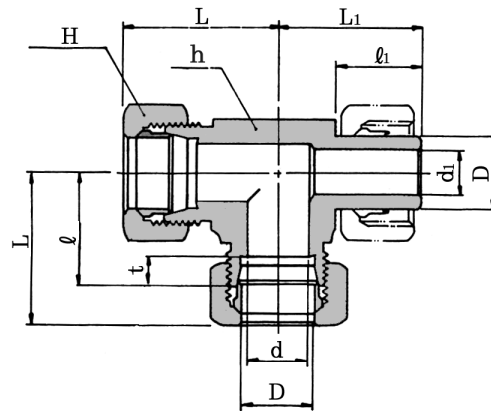
SBTA



Designations	Tube O.D. D	d	d ₁	Width across flat		t	l	l ₁	Approx	
				h	H				L	L ₁
SBTA-10	10	8	6	17	19	7	23	21	34.5	35
SBTA-12	12	10	8	19	22	7	24	22	35.5	37
SBTA-15	15	12	10	24	27	7.5	32	24	44.5	43
SBTA-16	16	13	11	27	30	7.5	32	24	44.5	43
SBTA-18	18	14	12	27	32	8	32	24	44.5	43
SBTA-20	20	17	14	30	36	8	33	25	45.5	45
SBTA-22	22	18	14	32	36	9	34	26	46.5	46
SBTA-25	25	20	17	36	41	10	36	28	49.5	49



Designations	D ₁	Tube O.D		Width across flat		t	ℓ	Approx L		
		D	d	H ₁	H					
SR08 × 06	8	6	4	14	14	7	39	49.5		
SR10 × 06	10	6	4	14	14	7	40	50.5		
SR10 × 08	10	8	6	17	17	7	40	50.5		
SR12 × 06	12	6	4	14	14	7	41	51.5		
SR12 × 08	12	8	6	17	17	7	41	51.5		
SR12 × 10	12	10	8	17	19	7	41	52.5		
SR15 × 08	15	8	6	17	17	7	43	53.5		
SR15 × 10	15	10	8	17	19	7	43	54.5		
SR16 × 06	16	6	4	17	14	7	43	53.5		
SR16 × 10	16	10	8	17	19	7	43	54.5		
SR16 × 12	16	12	10	19	22	7	43	54.5		
SR18 × 10	18	10	8	19	19	7	44	55.5		
SR18 × 15	18	15	12	24	27	7.5	45	57.5		
SR20 × 06	20	6	4	22	14	7	45	55.5		
SR20 × 12	20	12	10	22	22	7	45	56.5		
SR20 × 16	20	16	13	27	30	7.5	47	59.5		
SR22 × 15	22	15	12	24	27	7.5	48	60.5		
SR22 × 18	22	18	14	27	32	8	48	60.5		
SR25 × 16	25	16	13	27	30	7.5	50	62.5		
SR25 × 20	25	20	17	30	36	8	52	64.5		
SR28 × 18	28	18	14	30	32	8	52	64.5		
SR28 × 22	28	22	18	32	36	9	52	64.5		
SR30 × 20	30	20	17	32	36	8	53	65.5		
SR30 × 25	30	25	20	36	41	10	54	67.5		
SR32 × 25	32	25	20	36	41	10	55	68.5		
SR35 × 22	35	22	18	36	36	9	58	70.5		
SR35 × 28	35	28	22	41	46	10	60	74		
SR38 × 25	38	25	20	41	41	10	61	74.5		
SR38 × 30	38	30	25	41	46	10	63	77.5		
SR82 × 81	1/4	13.8	1/8	10.5	8	17	19	7	41	52.5
SR83 × 81	3/8	17.3	1/8	10.5	8	19	19	7	44	55.5
SR83 × 82	3/8	17.3	1/4	13.8	11	22	24	7.5	46	58
SR84 × 82	1/2	21.3	1/4	13.8	11	24	24	7.5	48	60
SR84 × 83	1/2	21.7	3/8	17.3	14	27	32	8	48	60.5
SR85 × 83	3/4	27.2	3/8	17.3	14	30	32	8	52	64.5
SR85 × 84	3/4	27.2	1/2	21.7	18	32	36	9	52	64.5
SR86 × 84	1	34.0	1/2	21.7	18	36	36	9	58	70.5
SR86 × 85	1	34.0	3/4	27.2	22	41	46	10	60	74



Designations	Tube O.D D	d	d ₁	Width across flat		t	ℓ	ℓ ₁	Approx	
				h	H				L	L ₁
SRTA-10	10	8	6	17	19	7	23	21	34.5	35
SRTA-12	12	10	8	19	22	7	24	22	35.5	37
SRTA-15	15	12	10	24	27	7.5	32	24	44.5	43
SRTA-16	16	13	11	27	30	7.5	32	24	44.5	43
SRTA-18	18	14	12	27	32	8	32	24	44.5	43
SRTA-20	20	17	14	30	36	8	33	25	45.5	45
SRTA-22	22	18	14	32	36	9	34	26	46.5	46
SRTA-25	25	20	17	36	41	10	36	28	49.5	49